

Parts Catalog

Admiral 35 Rider Scrubber



Table of Contents

Frame (99774413BT10)	4
Covering (99774413BT20)	6
Dash board with covering (99774413BT30)	8
Dash board (99774413BT40)	10
Driver's seat with covering (99774413BT50)	12
Steering assy (99774413BT60)	14
Front Wheel (97066088)	16
Front Wheel (97103816)	18
Accelerator pedal - Parking brake (99774413BT80)	20
Travel drive (97067193 BIS 080614)	24
Travel drive (97067193 AB 080615)	28
Hopper - Membran wall (97067433)	30
Suck-off system (hopper) (99774413BT110)	34
Cover (hopper) (99774413BT120)	36
Water infeed - Connection tools (99774413BT130)	38
Brush case (99774413BT140)	40
Brush pressure setting assy (99774413BT150)	42
Brush lifting assy (99774413BT161)	46
Spraying guard (99774413BT170)	48
Squeegee 110cm (until eng.no.: 0018) (99774413BT180)	50
Squeegee 110cm (from eng.no.: 0019) (99774413BT190)	60
Electric (part 1) (97099709-1)	76
Electric (Part 2) (97099709-2)	78
Labels Admiral 36 (97100085)	82

This manual covers all standard Admiral 35 models:

Model No.

The machine will provide excellent service. However, the best results will be obtained if:

- The machine is operated with reasonable care.
- The machine is maintained regularly per the maintenance schedule in the instruction manual provided.
- The machine is maintained with PowerBoss OEM supplied or equivalent parts.

All right side and left side references to the machine are determined by facing the direction of forward travel. Parts may be ordered by phone or mail from any PowerBoss parts and service center. Before ordering parts or supplies be sure to have your machine model number and serial number handy.

Fill out the data block below for future reference.

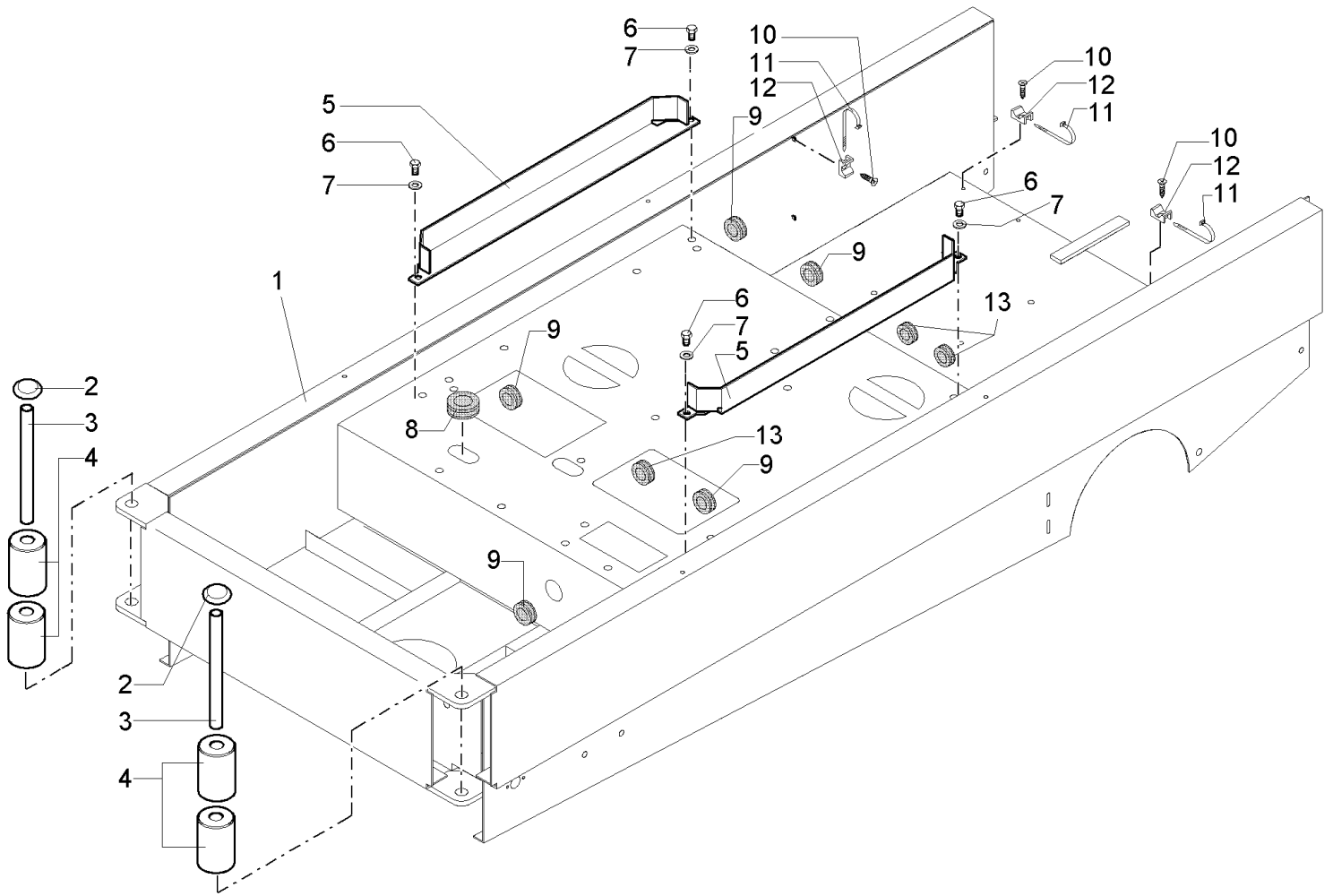
MACHINE DATA Fill Out At Installation	
Model:	Admiral 35
Serial Number:	_____
Sales Rep or Dealer	_____
Date of Install:	_____
Manual p/n:	4100018

All information contained in this manual is current at the time of printing However, PowerBoss Reserves the right to make changes at any time without notice.

© 2011, Powerboss, Inc., Printed in USA

All rights reserved. This manual may not be copied or reproduced in any form, without the written permission of PowerBoss, Inc.

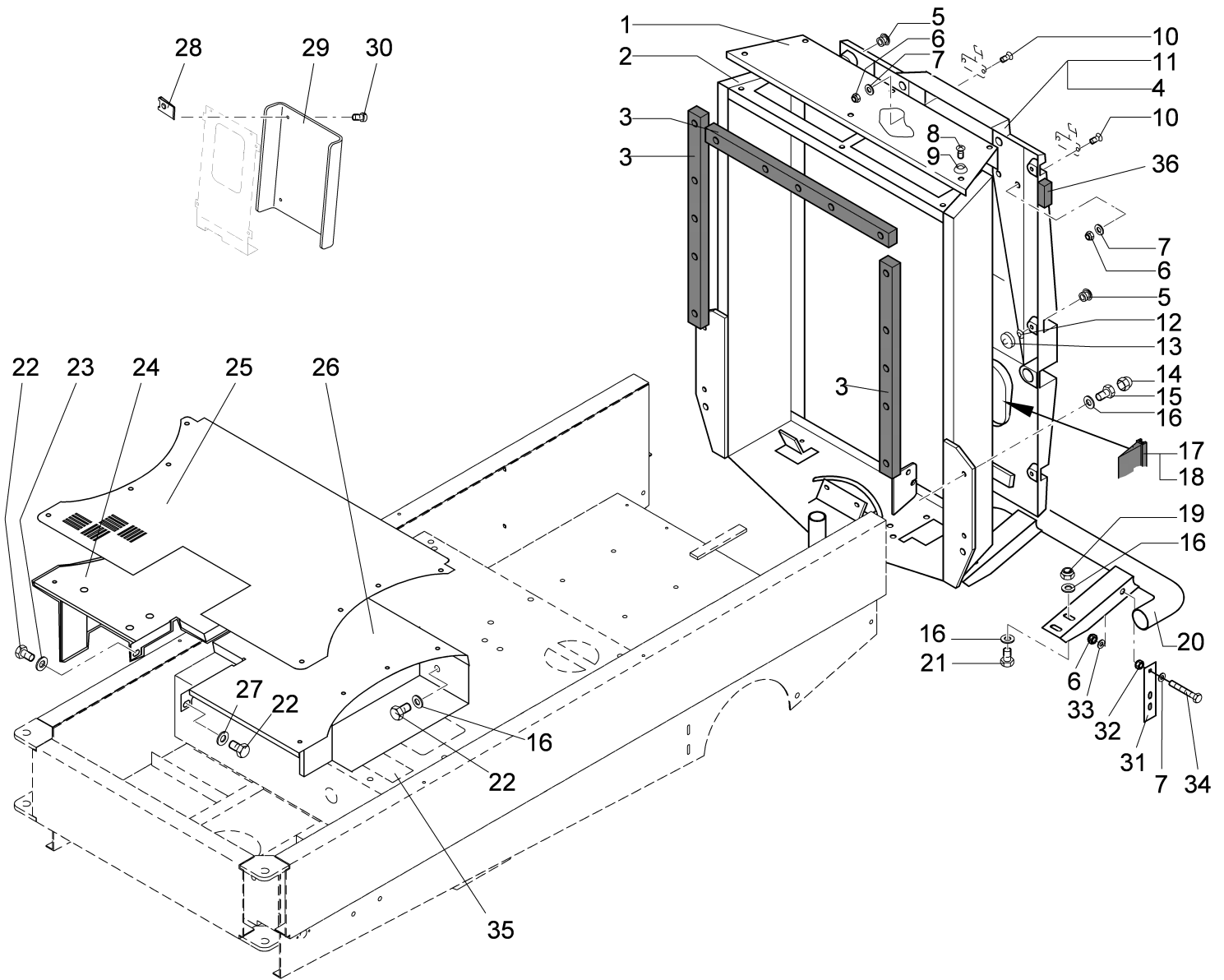
Frame (99774413BT10)



Frame (99774413BT10)

Item	Part number	Description	Qty.	Remarks
1	03003340	Frame		
2	00072270	Thrust washer		
3	00741740	Bolt		
4	01057290	Rejecting role		
5	01055620	Mounting plate		
6	00864230	Hex.bolt		
7	00053750	Washer		
8	00902020	Cable sleeve		
9	01073520	Hose nozzle		
10	00134850	Tapping screw		
11	00121010	Cable tie		
12	00780710	Socket		
13	00555440	Cable sleeve		

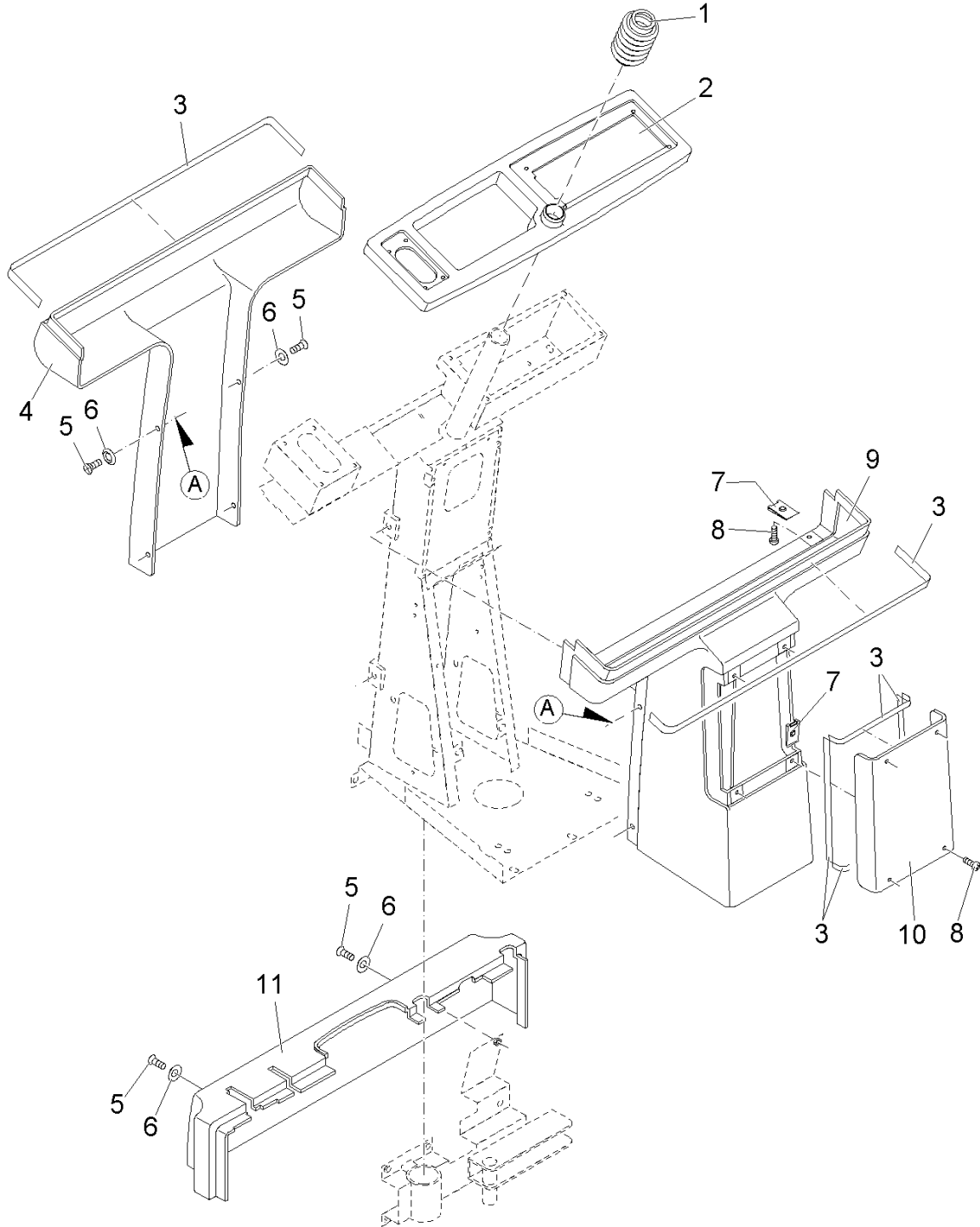
Covering (99774413BT20)



Covering (99774413BT20)

Item	Part number	Description	Qty.	Remarks
1	01055630	Cover plate	1	
2	01055640	Capping piece	1	
3	00651150	Seal	3	
4	00073800	Drain plug	1	
5	00742760	Locking pin	6	
6	00051340	Hexagon nut	7	
7	00053720	Washer	7	
8	00073160	Countersunk screw	6	
9	00076210	Annular plate	6	
10	00053530	Lens head screw	4	
11	01055650	Rear wall	1	
12	00742780	Retaining ring	6	
13	00742770	Fastener	6	
14	00131610	Lens cap	4	
15	00053090	Hexagon screw	4	
16	00053750	Washer	12	
17	00461460	Edge protection	280mm	
18	00461460	Edge protection	350mm	
19	00051510	Hexagon nut	4	
20	01055660	Bumper	1	
21	00053100	Hexagon screw	4	
22	00864230	Hex.bolt	1	
23	00902280	Washer	1	
24	03003600	Access plate, R.H.	1	
25	01055670	Floor mat	1	
26	03003610	Access plate, L.H.	1	
27	00902280	Washer	1	
28	00903540	Snap nut	4	
29	01055680	Cover	1	
30	00905520	Screw	4	
31	01073670	Rubber strap	1	
32	00053320	Hex. Nut	1	
33	00555520	Washer	1	
34	01074360	Cylinder head screw	1	
35	XXXXXXXX	no part-No. til yet	2	90376633 Decal
36	01076230	Sealing tape black	1200mm	

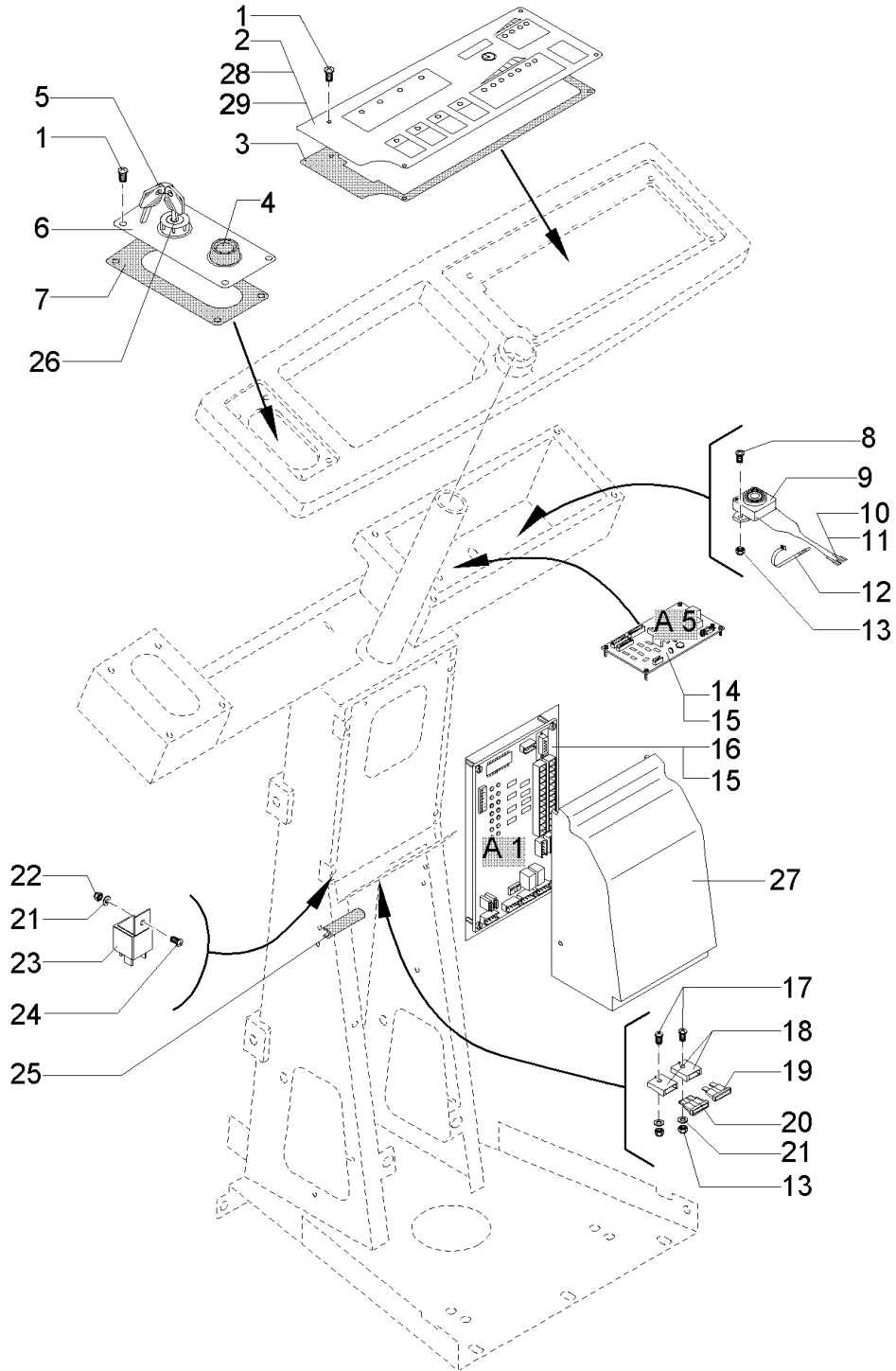
Dash board with covering (99774413BT30)



Dash board with covering (99774413BT30)

Item	Part number	Description	Qty.	Remarks
1	01054880	Bellows		
2	01054870	Tower cover		
3	01075290	Gasket TESAMOLL		
4	01055690	Front covering		
5	00154680	Countersunk screw		
6	00157690	Annular plate		
7	00903540	Snap nut		
8	00905520	Screw		
9	01055700	Cover		
10	01055680	Cover		
11	01055710	Spoiler		

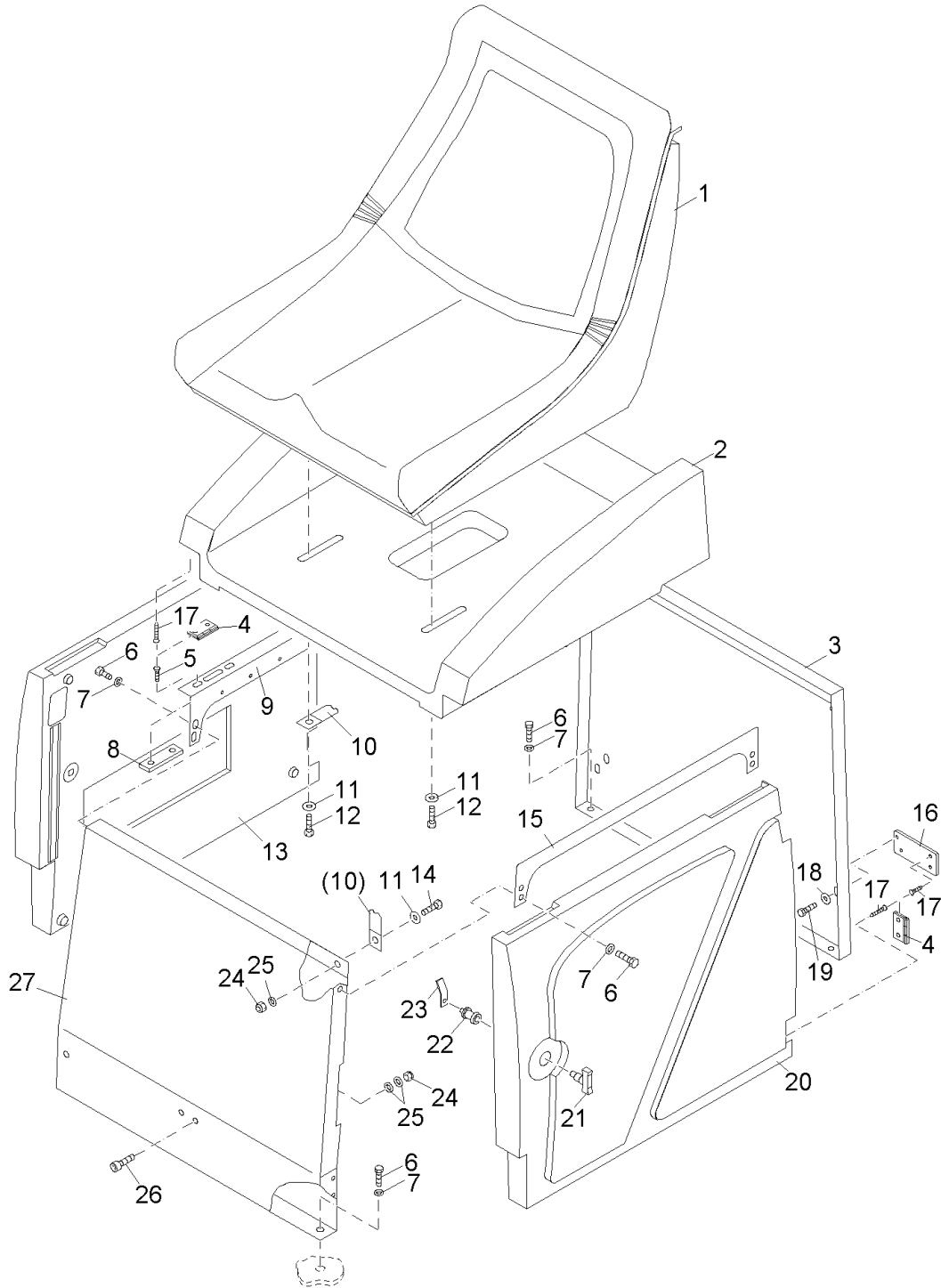
Dash board (99774413BT40)



Dash board (99774413BT40)

Item	Part number	Description	Qty.	Remarks
1	00731550	Fillister-head screw	4	
2	00712220	Control panel standard	1	
3	01055370	Seal	1	
4	00133770	Press switch	1	
5	00021710	Key switch	1	
6	01055380	Switch plate	1	
7	01055390	Seal	1	
8	00535780	Fillister-head screw	2	
9	00745850	Signal transmitter	1	
10	00903180	Plastic cover	1	
11	00903170	Tab	1	
12	00121010	Cable tie	1	
13	00022200	Hex. Nut	4	
14	00712200	Turning module	1	
15	00745840	Print plate holder	8	
16	01175790	Control module	1	
17	00504550	Fillister-head screw	2	
18	00509560	Fuse holder	2	
19	00733630	Fuse	1	
20	00906120	Fuse	1	
21	00747400	Washer	3	
22	00022200	Hex. Nut	1	
23	00965030	Relay	1	
24	00157110	Tapping screw	1	
25	00721090	Edge protection	1	
26	00745890	Set (2pc.) key	1	
27	01070460	Cover	1	
28	01055050	Instrument panel	1	
29	01076630	Ribbon cable	1	

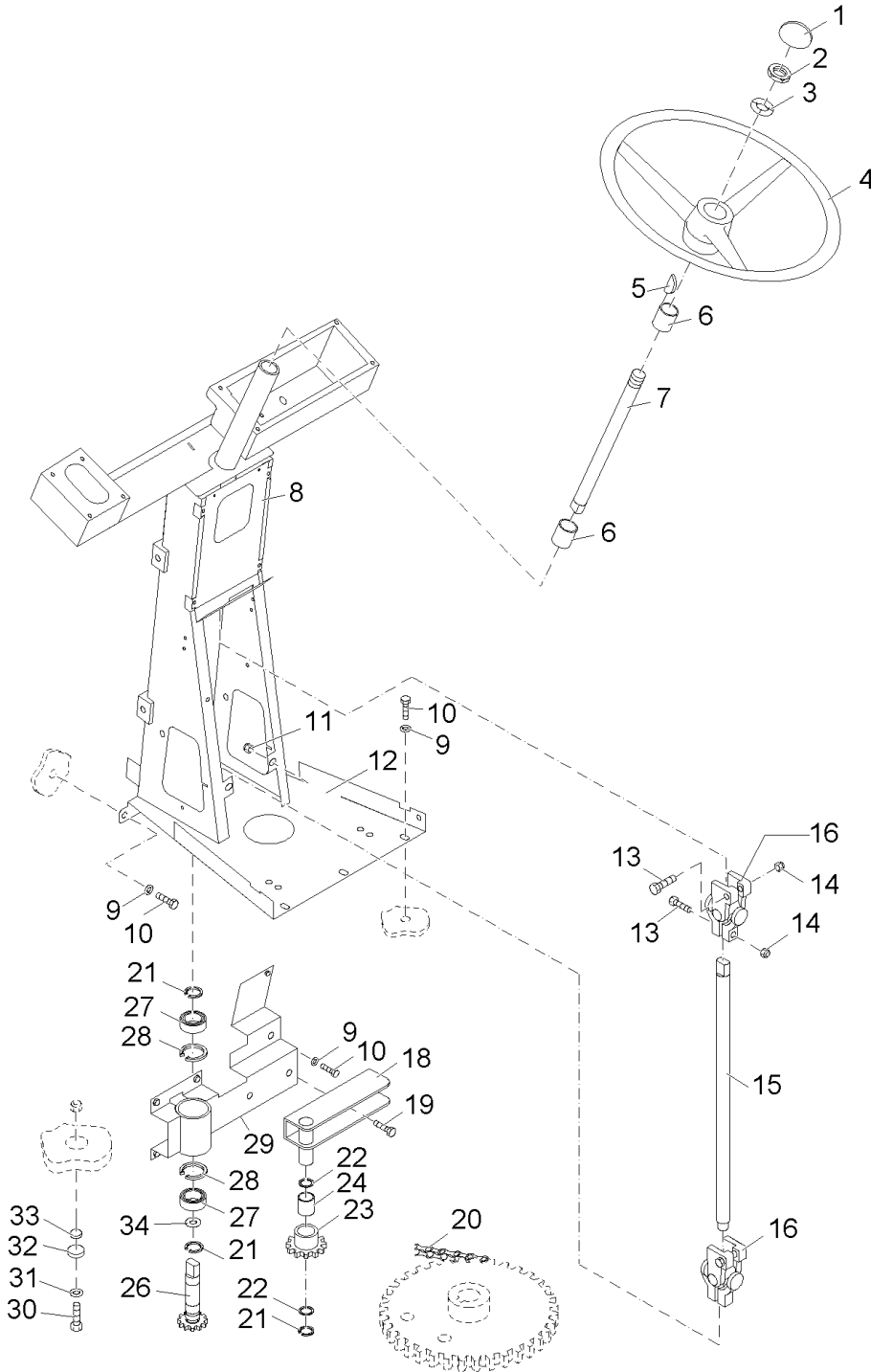
Driver's seat with covering (99774413BT50)



Driver's seat with covering (99774413BT50)

Item	Part number	Description	Qty.	Remarks
1	00016240	Seat		
2	01055720	Seat console		
3	03003620	Partition		
4	00029230	Hinge		
5	00157740	Countersunk screw		
6	00053080	Hexagon screw		
7	00053750	Washer		
8	00853680	Bracket		
9	01055730	Support angle		
10	01055740	Belt		
11	00042900	Washer		
12	00532680	Hex.bolt		
13	01055750	Battery door R.H.		
14	00553690	Hex.bolt		
15	01055760	Sheet metal		
16	01055770	Plate		
17	00126040	Countersunk screw		
18	00555520	Washer		
19	00054680	Hex.bolt		
20	01055780	Battery door L.H.		
21	01055790	Toggle		
22	01055800	Housing		
23	01055810	Door lock		
24	00051510	Hexagon nut		
25	00053750	Washer		
26	00154410	Cylinder head screw		
27	03003630	Front wall		

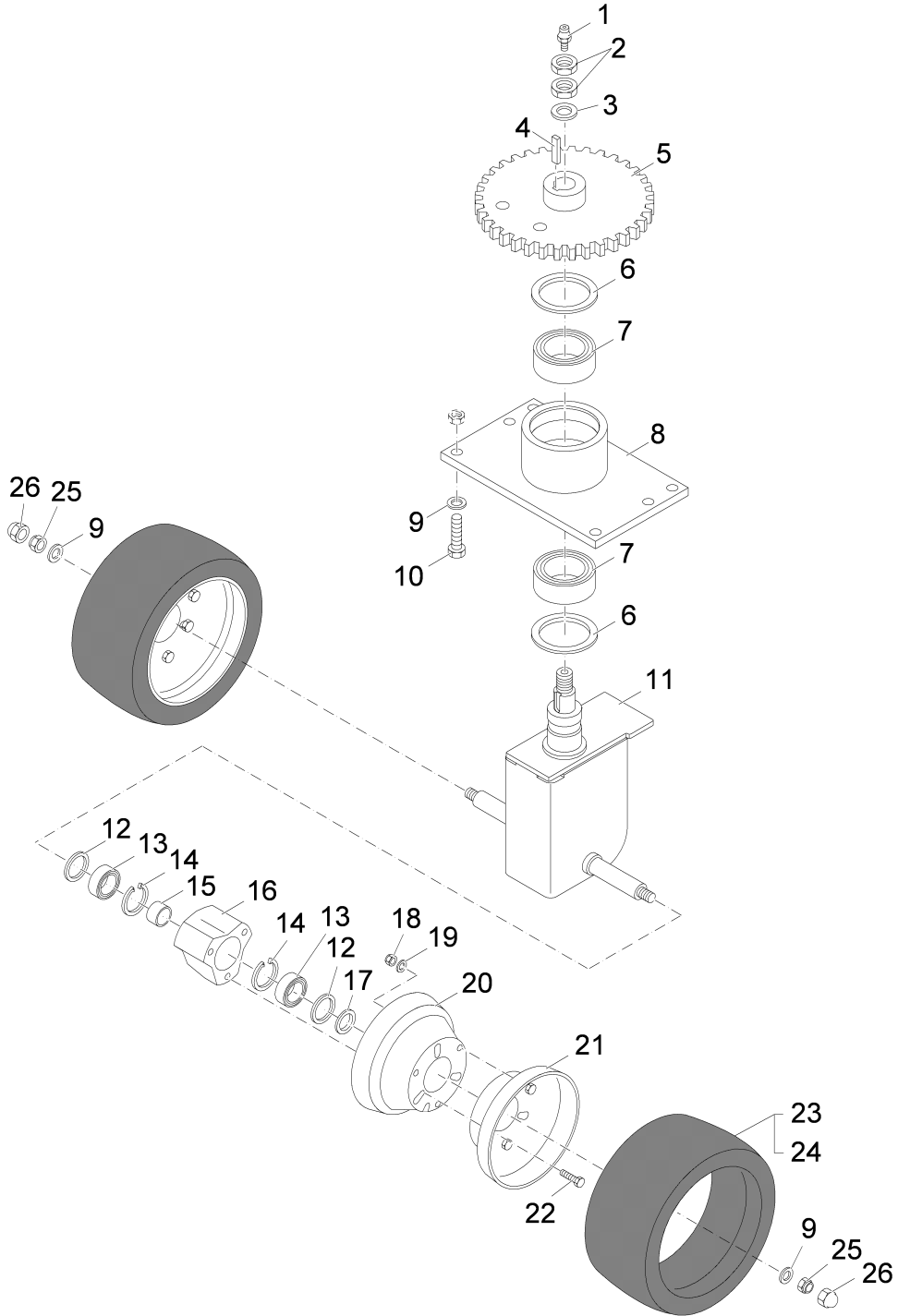
Steering assy (99774413BT60)



Steering assy (99774413BT60)

Item	Part number	Description	Qty.	Remarks
1	00852310	Cap		
2	00074350	Hex. Nut		
3	00075290	Toothed washer		
4	00770220	Steering wheel		
5	00153600	Woodruff key		
6	00956130	Bushing		
7	01055820	Steering shaft		
8	03003640	Frame, steering		
9	00053750	Washer		
10	00053080	Hexagon screw		
11	00051500	Hexagon nut		
12	00108590	Socket head screw		
13	00054690	Hexagon screw		
14	00051510	Hexagon nut		
15	01055830	Steering shaft		
16	00746040	Cardan joint		
18	03003650	Tension lever		
19	00959310	Hex.bolt		
20	01054930	Roller chain		
21	00054310	Retaining ring		
22	00153700	Adjusting washer		
23	00701180	Chain wheel		
24	00734550	DU-Drying socket		
26	01054920	Chain wheel shaft		
27	00046250	Deep groove ball bearing		
28	00154440	Retaining ring		
29	03003660	Bracket		
30	00054830	Hex.bolt		
31	00132610	Washer		
32	01057650	Rubber buffer		
33	01057660	Bushing		
34	00046430	Adjusting washer		

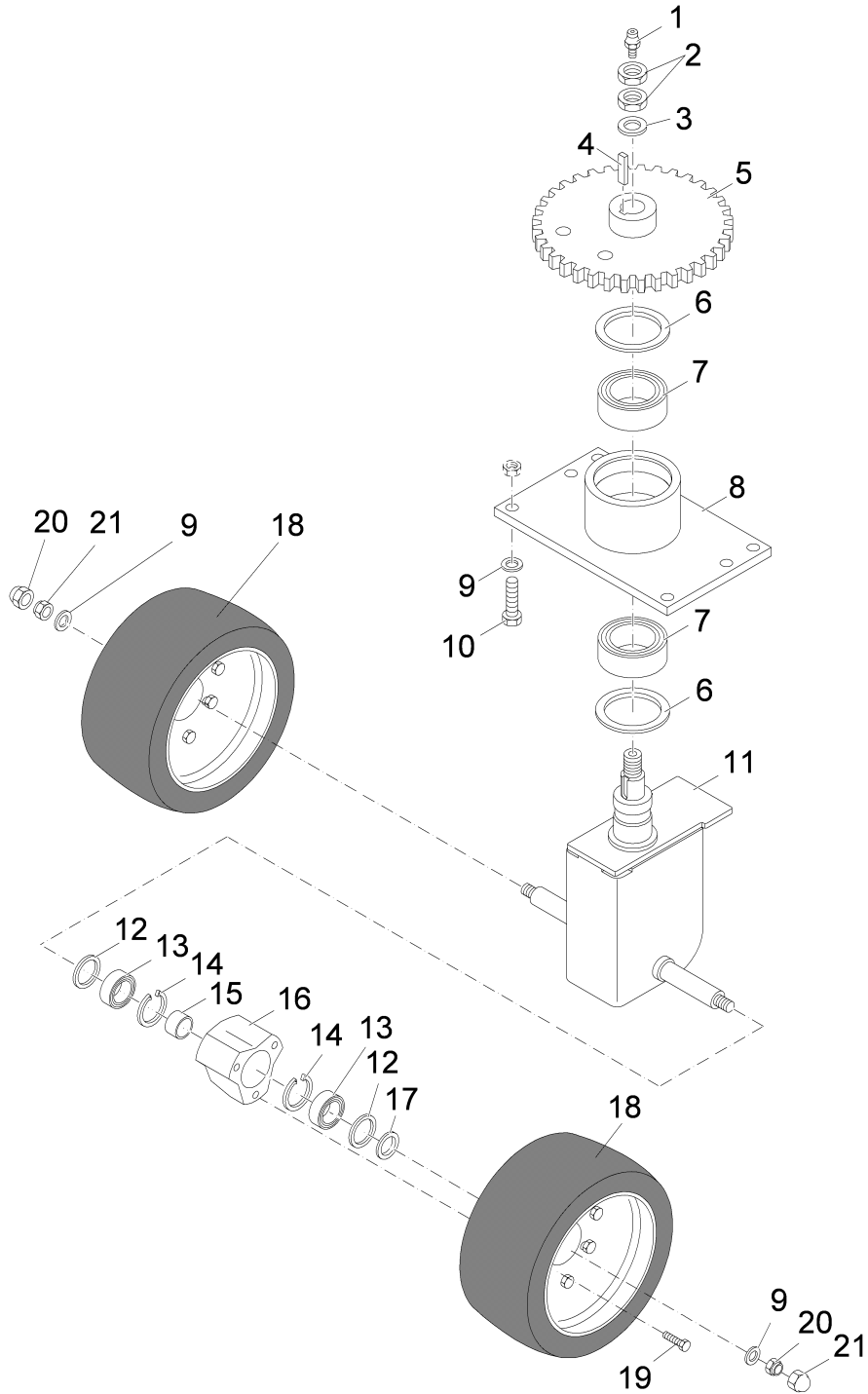
Front Wheel (97066088)



Front Wheel (97066088) 1999-09-01 --> 2008-05-31

Item	Part number	Description	Qty.	Remarks
1	00045910	Lubricating nipple	1	
2	00736010	Hex. Nut	2	
3	00053800	Washer	1	
4	00747530	Feather key	1	
5	00752520	Chain wheel washer	1	
6	00746270	Ring	2	
7	00137930	Cone roller bearing	2	
8	03003670	Bearing frame	1	
9	00053770	Washer	6	
10	00053200	Hex.bolt	4	
11	01054850	Wheel trunk	1	
12	00702470	Ring	4	
13	00046250	Deep groove ball bearing	4	
14	00154440	Retaining ring	4	
15	00928140	Bushing	2	
16	00928130	Gear hub	2	
17	00928150	Ring	2	
18	00051520	Hexagon nut	6	
19	00053730	Washer	6	
20	00060400	Rim half	2	
21	00060210	Rim half	2	
22	00959310	Hex.bolt	6	
23	01056130	Tyre	2	
24	00411670	Tyre	2	
25	00051490	Hexagon nut	2	
26	01031540	protection cap	2	

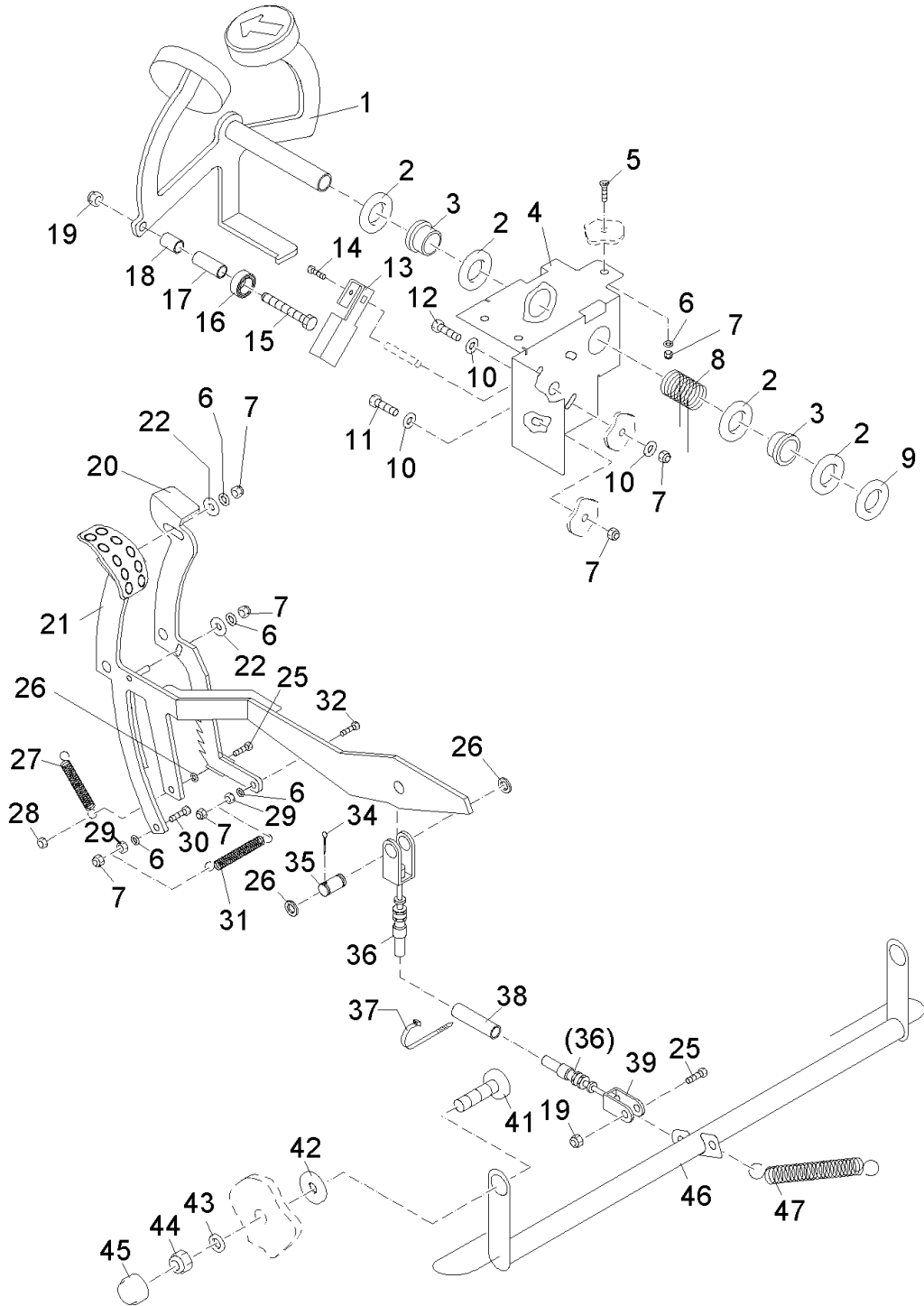
Front Wheel (97103816)



Front Wheel (97103816) 2008-06-01 -->

Item	Part number	Description	Qty.	Remarks
1	00045910	Lubricating nipple	1	
2	00736010	Hex. Nut	2	
3	00053800	Washer	1	
4	00747530	Feather key	1	
5	00752520	Chain wheel washer	1	
6	00746270	Ring	2	
7	00137930	Cone roller bearing	2	
8	03003670	Bearing frame	1	
9	00053770	Washer	6	
10	00053200	Hex.bolt	4	
11	01054850	Wheel trunk	1	
12	00702470	Ring	4	
13	00046250	Deep groove ball bearing	4	
14	00154440	Retaining ring	4	
15	00928140	Bushing	2	
16	00928130	Gear hub	2	
17	00928150	Ring	2	
18	01071220	Wheel	2	
19	01171260	Hexagon screw	6	
20	00051490	Hexagon nut	2	
21	01031540	protection cap	2	

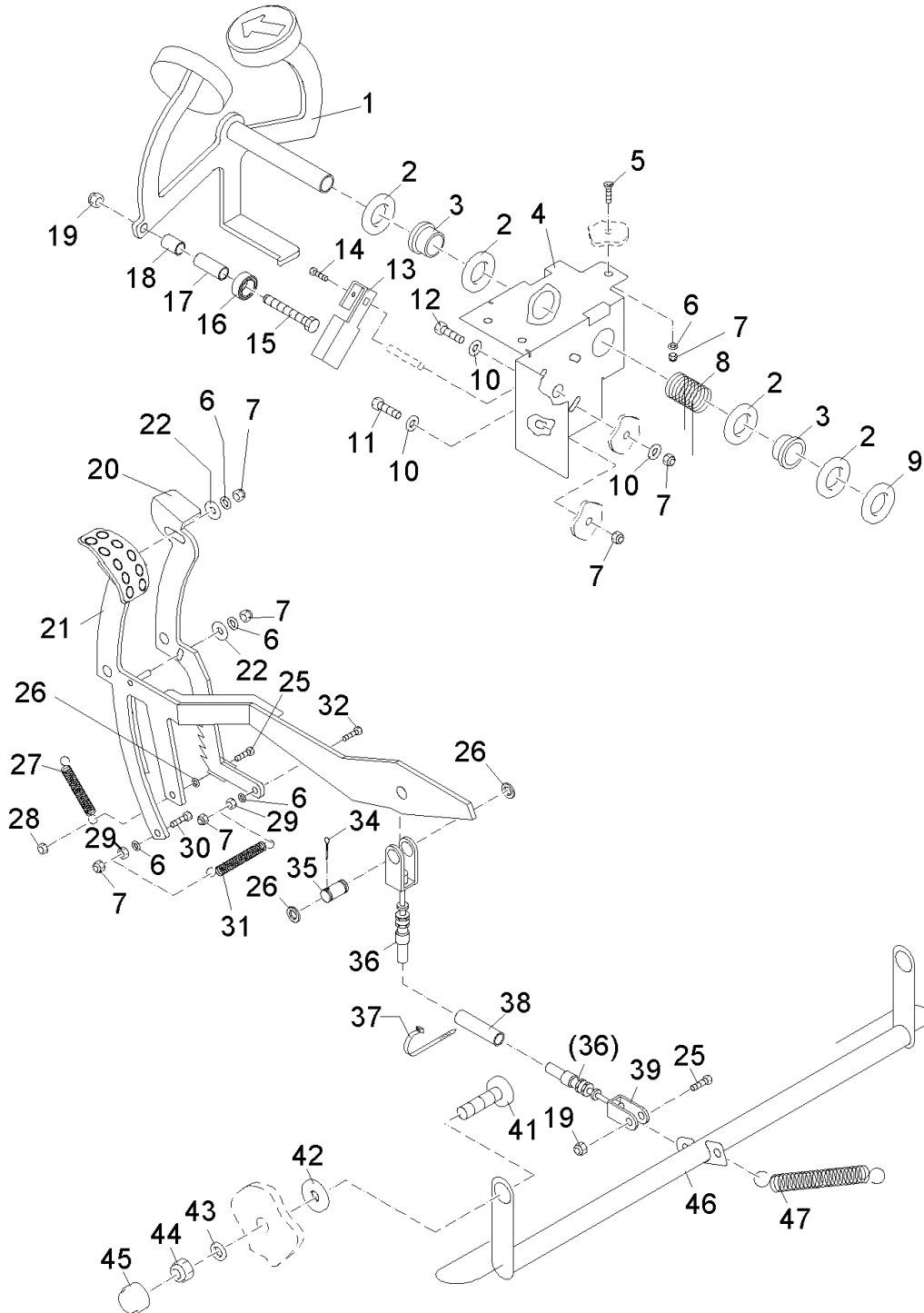
Accelerator pedal - Parking brake (99774413BT80)



Accelerator pedal - Parking brake (99774413BT80)

Item	Part number	Description	Qty.	Remarks
1	01055860	Pedal		
2	00053800	Washer		
3	00872370	Bushing		
4	03003680	Carrier metal		
5	00872460	Countersunk screw		
6	00053730	Washer		
7	00051520	Hexagon nut		
8	01054890	Bending spring		
9	00872300	Thrust washer		
10	00135120	Washer		
11	00053020	Hexagon screw		
12	00053010	Hex.bolt		
13	01055870	Contact maker		
14	00695680	Fillister-head screw		
15	00020370	Hexagon screw		
16	00957630	Deep groove ball bearing		
17	00153460	Spreader tube		
18	00856360	Pipe		
19	00051510	Hexagon nut		
20	01055880	Unblocking pedal		
21	01055890	Brake pedal		
22	00055590	Adjusting washer		
25	00053100	Hexagon screw		
26	00053750	Washer		
27	01055930	Tension spring		
28	00053350	Hexagon nut		
29	00053330	Hexagon nut		
30	00053030	Hexagon screw		
31	00536950	Tension spring		
32	00053040	Hex.bolt		
34	00054860	Cotter pin		
35	00055030	Bolt		
36	01054910	Bowden cable		
37	00121010	Cable tie		
38	00711670	Hose		
39	00027110	Fork yoke		

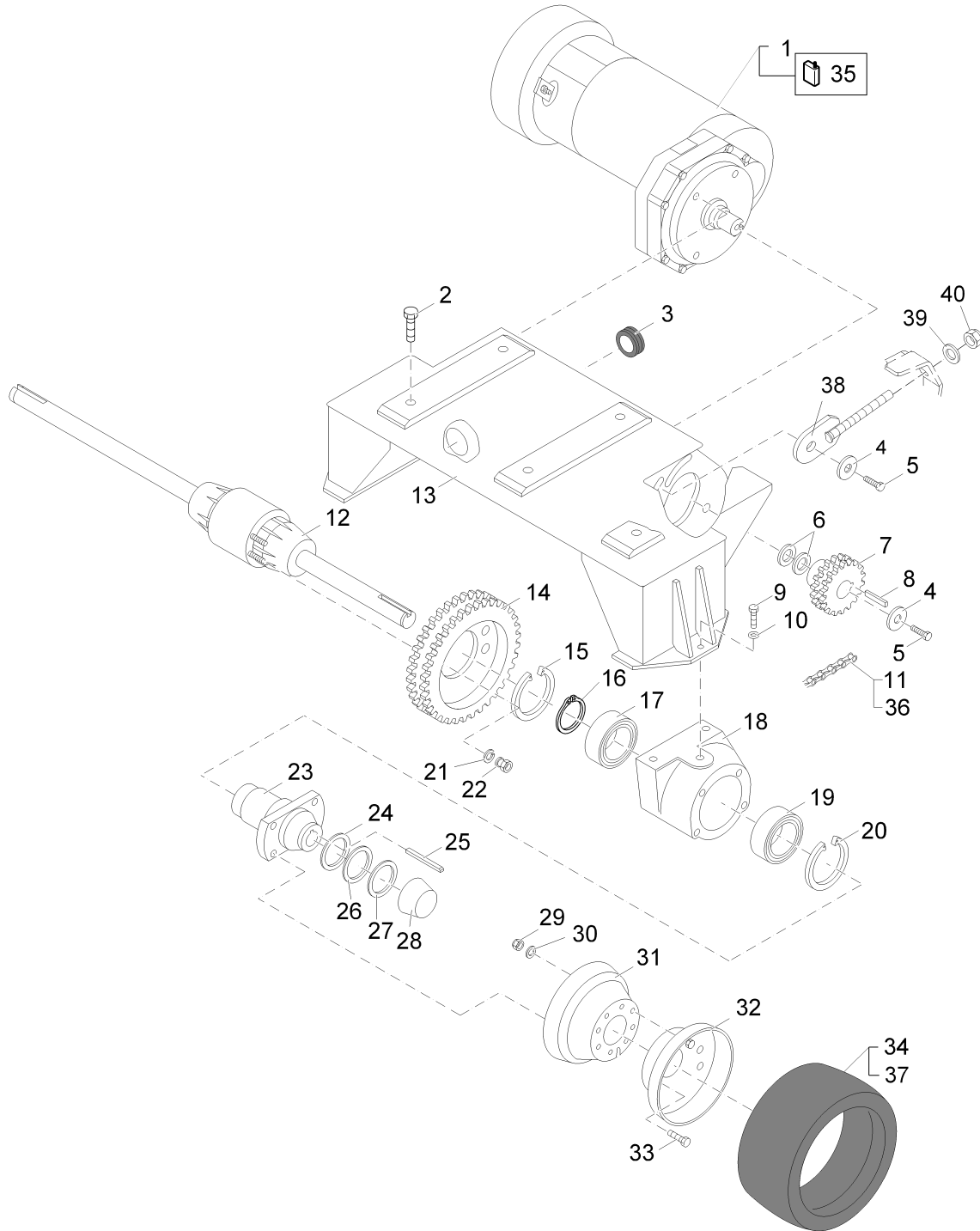
Accelerator pedal - Parking brake (99774413BT80)



Accelerator pedal - Parking brake (99774413BT80)

Item	Part number	Description	Qty.	Remarks
41	00862650	Eccentric cam		
42	00743200	Washer		
43	00053770	Washer		
44	00051490	Hexagon nut		
45	01031540	protection cap		
46	03003690	Brake bow		
47	00862750	Tension spring		

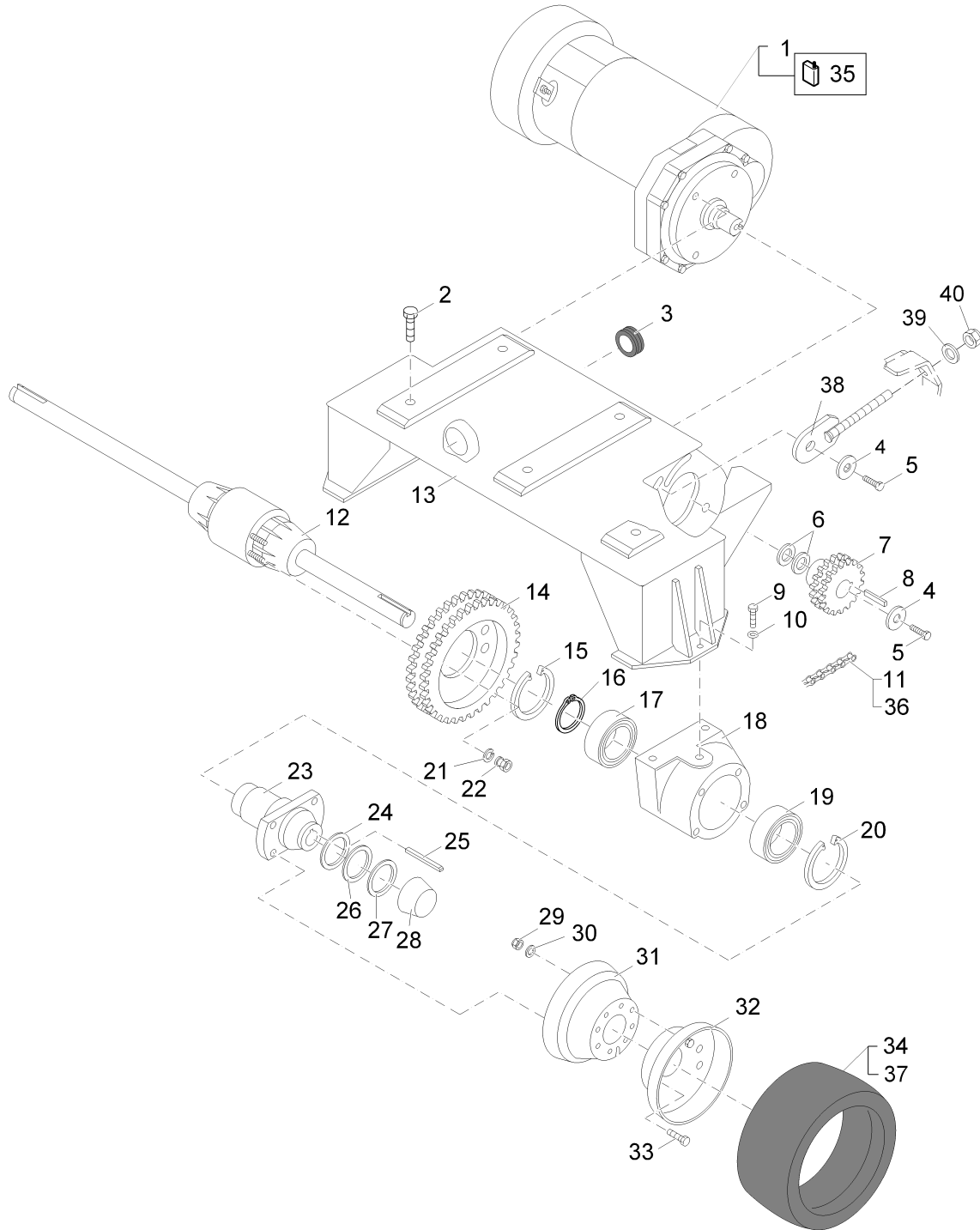
Travel drive (97067193 BIS 080614)



Travel drive (97067193 BIS 080614) 1999-09-01 --> 2008-06-14

Item	Part number	Description	Qty.	Remarks
1	00671800	Engine	1	
2	00959310	Hex.bolt	4	
3	01073520	Hose nozzle	1	
4	00879170	Washer	8	
5	00131730	Hex.bolt	4	
6	00053810	Washer	2	
7	00901570	Chain wheel	1	
8	00059480	Feather key	1	
9	00053090	Hexagon screw	6	
10	00740090	Detent edged washer	6	
11	01054860	Roller chain	1	
12	01055900	Differential axle	1	
13	01074060	Bearing frame	1	
14	00291960	Chain wheel	1	
15	00121720	Retaining ring	2	
16	00043560	Retaining ring	2	
17	00731210	Deep groove ball bearing	2	
18	00861650	Housing	2	
19	00029750	Deep groove ball bearing	2	
20	00137320	Retaining ring	2	
21	00127680	Lock washer	4	
22	00861670	Special nut	4	
23	00861660	Hub	2	
24	00153700	Adjusting washer	2	
25	00059480	Feather key	1	
26	00046430	Adjusting washer	2	
27	00059490	Thrust washer	2	
28	00127160	Cap	2	
29	00051520	Hexagon nut	6	
30	00053730	Washer	6	
31	00621710	Rim	2	
32	00621690	Rim half	2	
33	00959310	Hex.bolt	6	
34	01056130	Tyre	2	
35	00553060	Set (4pc.) carbon brush	1	
36	00963390	Connection piece	1	

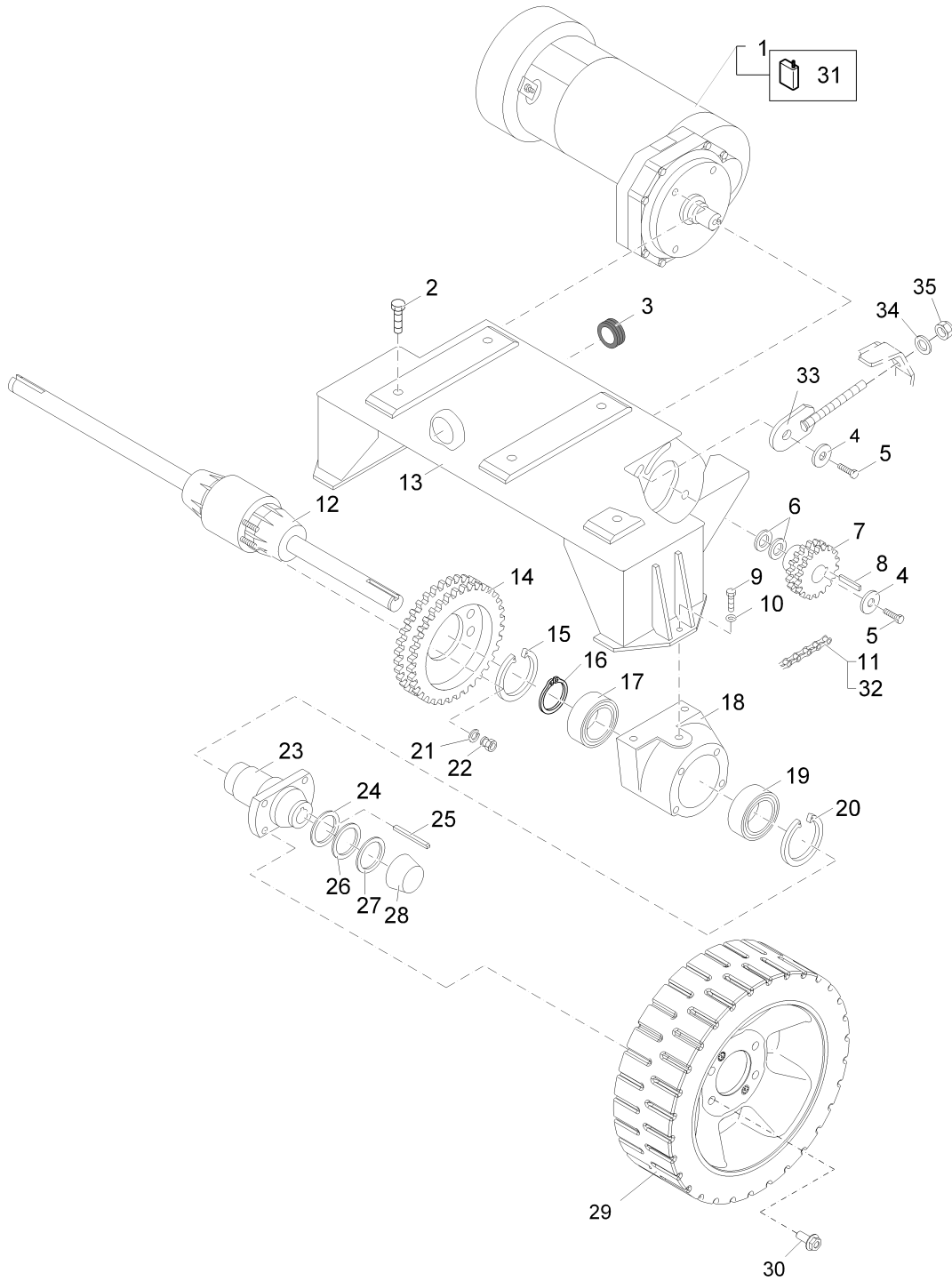
Travel drive (97067193 BIS 080614)



Travel drive (97067193 BIS 080614) 1999-09-01 --> 2008-06-14

Item	Part number	Description	Qty.	Remarks
37	00411670	Tyre	2	
38	01076150	Motor tensioner	1	
39	00053750	Washer	1	
40	00051510	Hexagon nut	1	

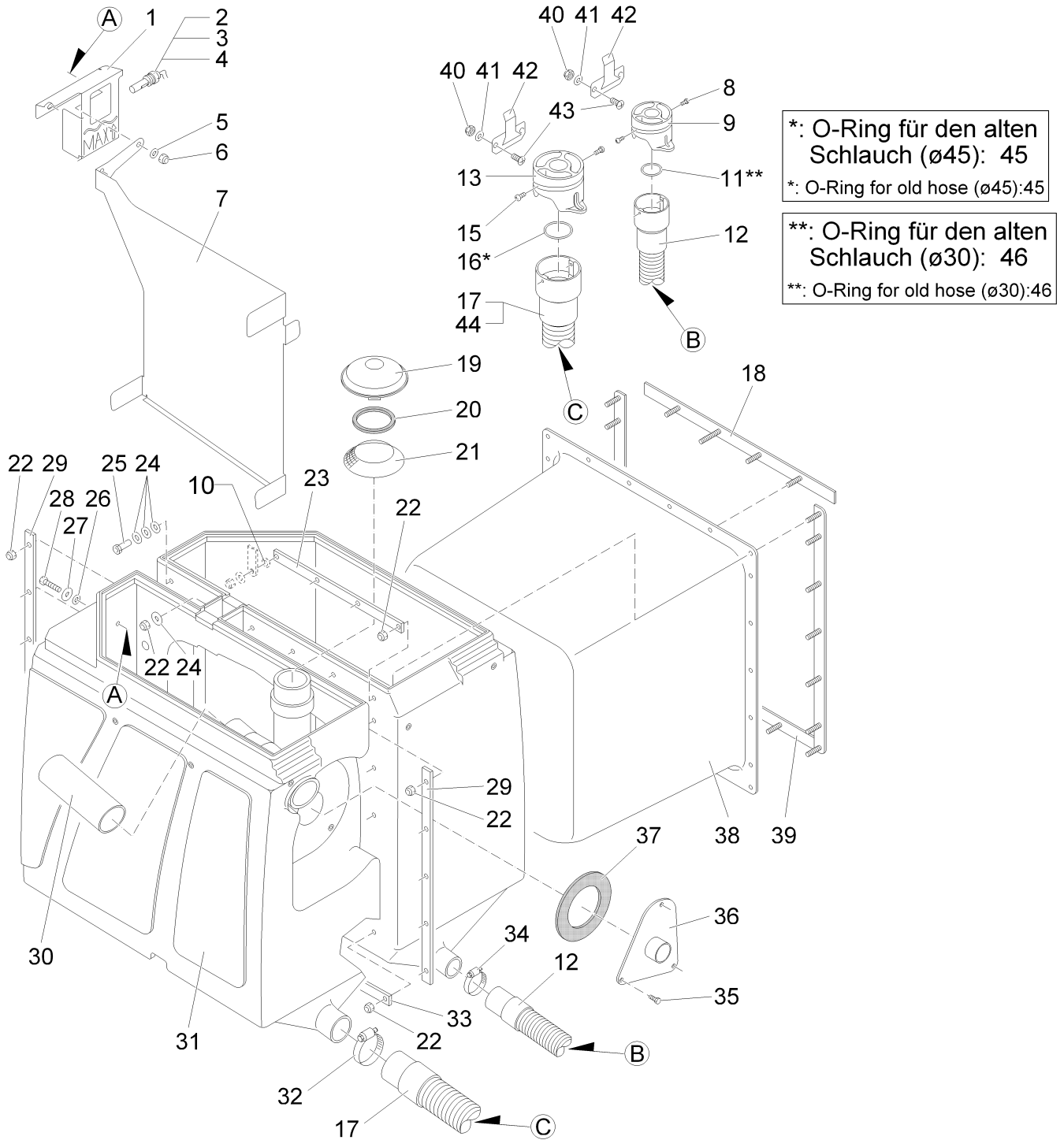
Travel drive (97067193 AB 080615)



Travel drive (97067193 AB 080615) 2008-06-15 -->

Item	Part number	Description	Qty.	Remarks
1	00671800	Engine	1	
2	00959310	Hex.bolt	4	
3	01073520	Hose nozzle	1	
4	00879170	Washer	8	
5	00131730	Hex.bolt	4	
6	00053810	Washer	2	
7	00901570	Chain wheel	1	
8	00059480	Feather key	1	
9	00053090	Hexagon screw	6	
10	00740090	Detent edged washer	6	
11	01054860	Roller chain	1	
12	01055900	Differential axle	1	
13	01074060	Bearing frame	1	
14	00291960	Chain wheel	1	
15	00121720	Retaining ring	2	
16	00043560	Retaining ring	2	
17	00731210	Deep groove ball bearing	2	
18	00861650	Housing	2	
19	00029750	Deep groove ball bearing	2	
20	00137320	Retaining ring	2	
21	00127680	Lock washer	4	
22	00861670	Special nut	4	
23	00861660	Hub	2	
24	00153700	Adjusting washer	2	
25	00059480	Feather key	1	
26	00046430	Adjusting washer	2	
27	00059490	Thrust washer	2	
28	00127160	Cap	2	
29	01071180	Wheel	2	
30	01171260	Hexagon screw	8	
31	00553060	Set (4pc.) carbon brush	1	
32	00963390	Connection piece	1	
33	01076150	Motor tensioner	1	
34	00053750	Washer	1	
35	00051510	Hexagon nut	1	

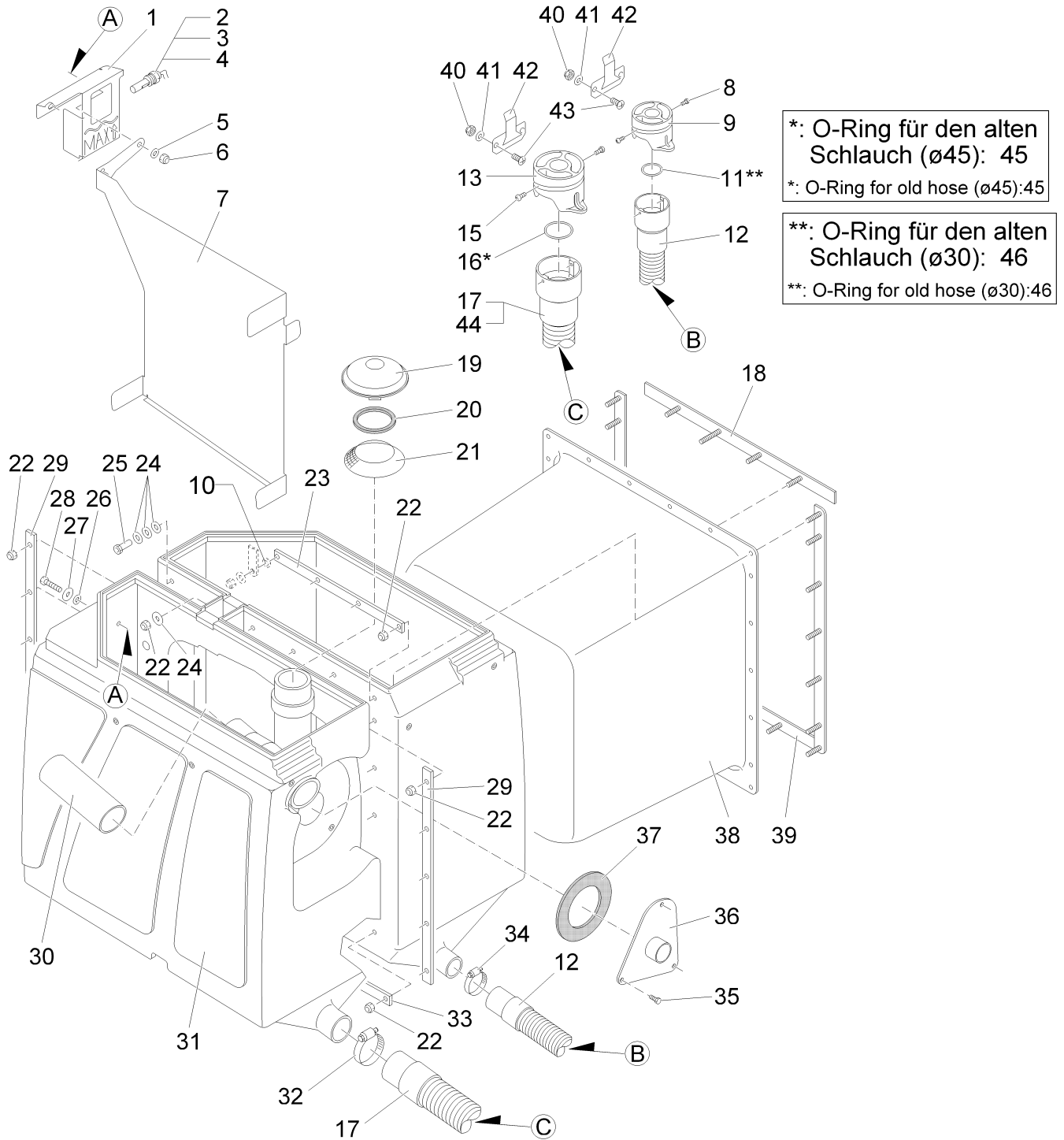
Hopper - Membran wall (97067433)



Hopper - Membran wall (97067433)

Item	Part number	Description	Qty.	Remarks
1	00563420	Angle	1	
2	00861620	Float switch	1	
3	00903170	Tab	2	
4	00903180	Plastic cover	1	
5	00101550	Washer	2	
6	00101540	Hexagon nut	2	
7	00821920	Sheet metal	1	
8	00906100	Fillister-head screw	2	
9	00906110	Cover	1	
10	00046500	Hex. Nut	1	
11	01079300	O-Ring	1	
12	00341000	Hose	1	
13	00142230	Cover	1	
15	00108650	Fillister-head screw	2	
16	01177960	O-Ring	1	
17	00360820	Hose	1	
18	00622460	Prop	1	
19	00874570	Rain cap	1	
20	00070980	Foam rubber ring	2	
21	00511300	Filter screen	1	
22	00051510	Hexagon nut	21	
23	00744920	Prop	1	
24	00042900	Washer	7	
25	01072860	Nut	1	
26	00854650	Washer	2	
27	00902280	Washer	3	
28	00523810	Hex.bolt	2	
29	00066440	Prop	2	
30	00744930	Pipe	1	
31	00036450	Tank	1	
32	00732130	Hose clamp	1	
33	00066430	Prop	1	
34	00751160	Hose clamp	1	
35	00053010	Hex.bolt	5	
36	00712110	Flange	1	
37	00130570	Seal	1	

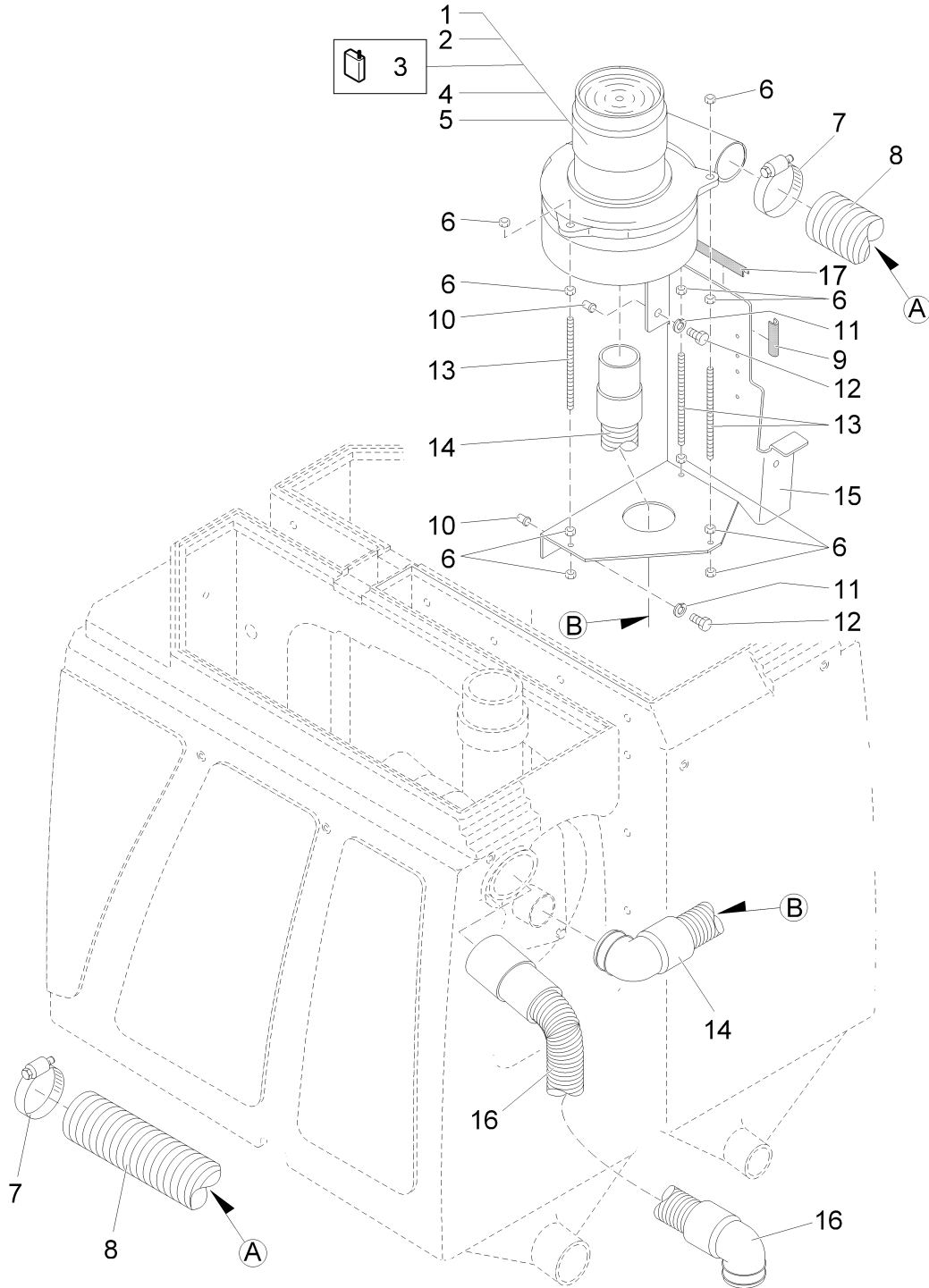
Hopper - Membran wall (97067433)



Hopper - Membran wall (97067433)

Item	Part number	Description	Qty.	Remarks
38	00600560	Membran wall	1	
39	00262190	Frame	1	
40	00051340	Hexagon nut	4	
41	00053720	Washer	4	
42	00733840	Hook	2	
43	00053530	Lens head screw	4	
44	01170060	Decal FOUL WATER	1	
45	00041540	O-ring	2	for old version of hoses
46	00107270	O-ring	2	for old version of hoses

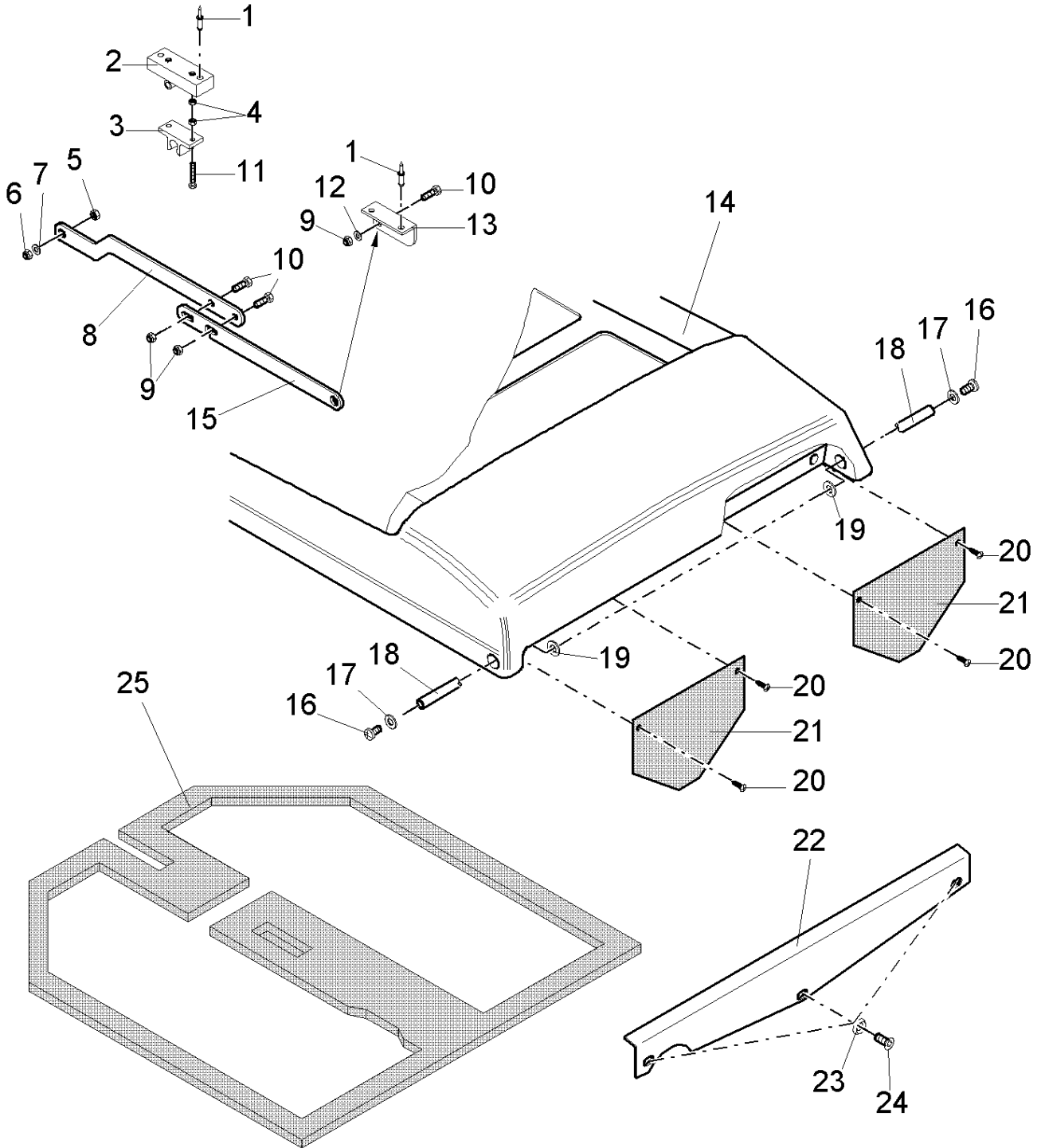
Suck-off system (hopper) (99774413BT110)



Suck-off system (hopper) (99774413BT110)

Item	Part number	Description	Qty.	Remarks
1	00543510	Induction engine	1	
2	00904050	Toroidal core	1	
3	00048840	Carbon brush	2	
4	00903190	Tab	1	
5	00903180	Plastic cover	1	
6	00053330	Hexagon nut	12	
7	00732130	Hose clamp	2	
8	00340990	Exhaust air hose	1	
9	00721090	Edge protection	40mm	
10	00552770	Rivet nut	3	
11	00053410	Lock washer	3	
12	00053080	Hexagon screw	3	
13	01075960	threaded bolt	3	
14	00360840	Hose	1	
15	00712130	Support	1	
16	01079310	Hose	1	
17	00721090	Edge protection	100mm	

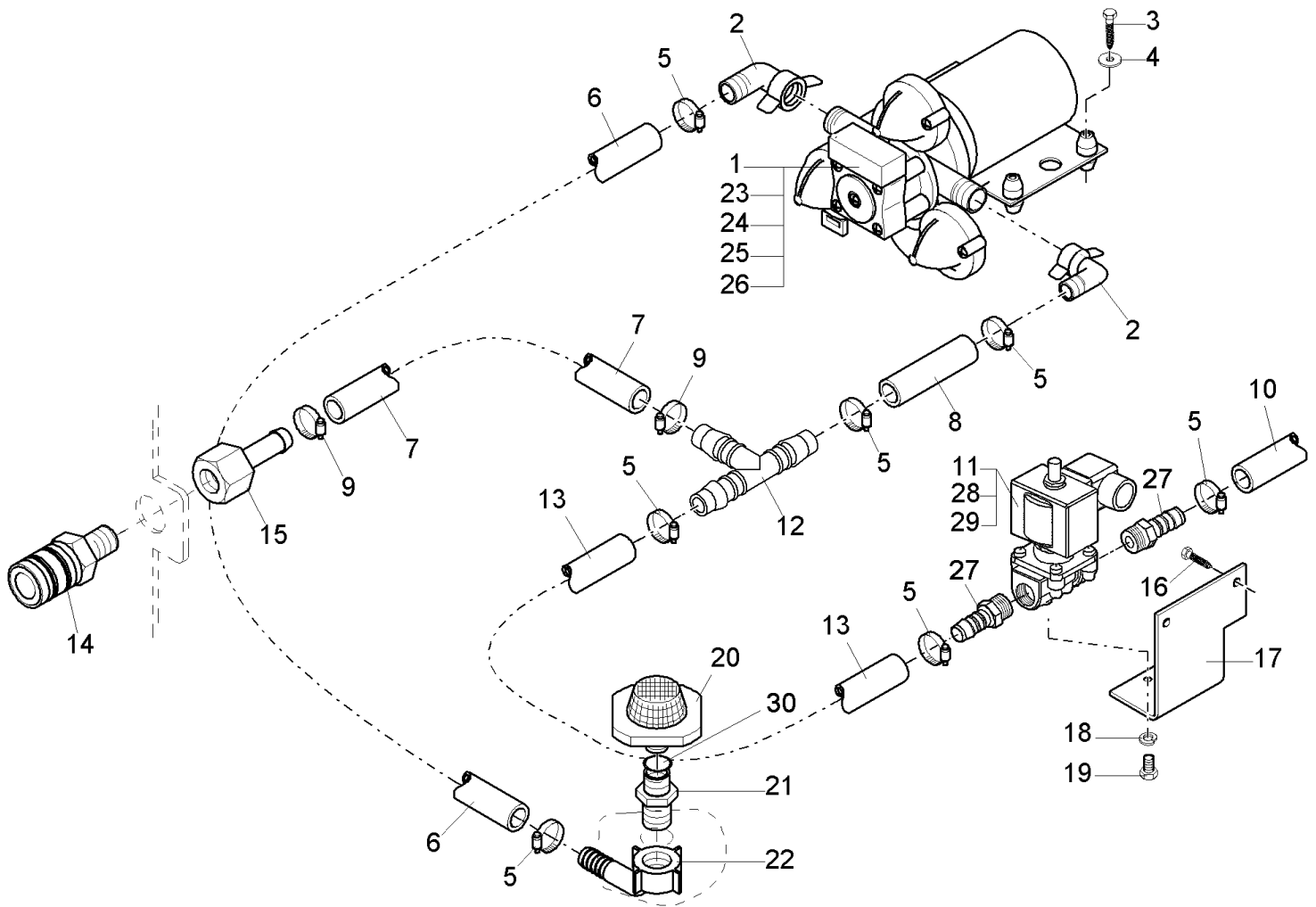
Cover (hopper) (99774413BT120)



Cover (hopper) (99774413BT120)

Item	Part number	Description	Qty.	Remarks
1	00902170	Rivet		
2	00074000	Support		
3	00100460	Clamp		
4	00053320	Hex. Nut		
5	00046500	Hex. Nut		
6	00051510	Hexagon nut		
7	00053750	Washer		
8	00743720	Prop		
9	00051520	Hexagon nut		
10	00053020	Hexagon screw		
11	00874650	Hex.bolt		
12	00053730	Washer		
13	00744900	Angle		
14	01055920	Cap tank		
15	00743730	Prop		
16	00051320	Fillister-head screw		
17	00135120	Washer		
18	00262210	Rod		
19	00695300	Washer		
20	00059470	Tapping screw		
21	00744910	Plate		
22	00662270	Sheet metal		
23	00042900	Washer		
24	00872460	Countersunk screw		
25	00262200	Seal		

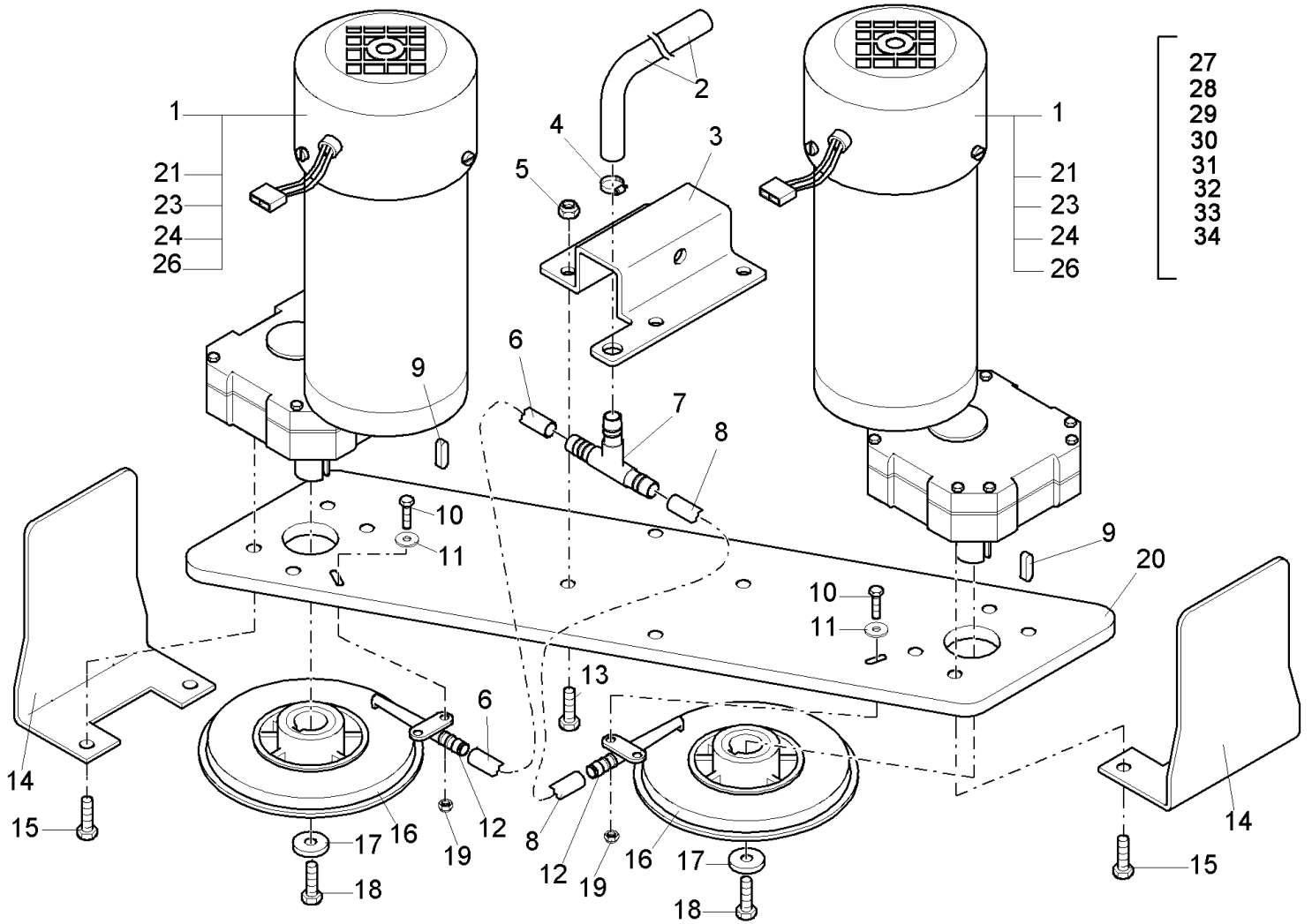
Water infeed - Connection tools (99774413BT130)



Water infeed - Connection tools (99774413BT130)

Item	Part number	Description	Qty.	Remarks
1	00543750	Pump	1	
2	00154140	Screwed angle fitting	2	
3	00104950	Tapping screw	4	
4	00135120	Washer	4	
5	00874590	Hose clamp	7	
6	00200170	PVC hose	1	
7	00711670	Hose	1	
8	00200170	PVC hose	1	
9	00074300	Hose clamp	2	
10	00200170	PVC hose	1	
11	01071000	Electrovalve	1	
12	00862620	T-reducing fitting	1	
13	00200170	PVC hose	1	
14	00552590	Quick hitch	1	
15	00552600	Hose nipple	1	
16	00104950	Tapping screw	2	
17	00745830	Support	1	
18	00154240	Lock washer	2	
19	00058580	Hex.bolt	2	
20	00861610	Filter	1	
21	00876620	Double nipple	1	
22	00862610	Screwed angle fitting	1	
23	00903190	Tab	1	
24	00083650	Plastic cover	1	
25	00559670	Case	1	
26	00083640	Plastic cover	1	
27	00976140	Screwing in connecting piece	2	
28	00053710	Washer	2	
29	03006960	Sealing compound		
30	00870890	O-ring oil resistant	1	

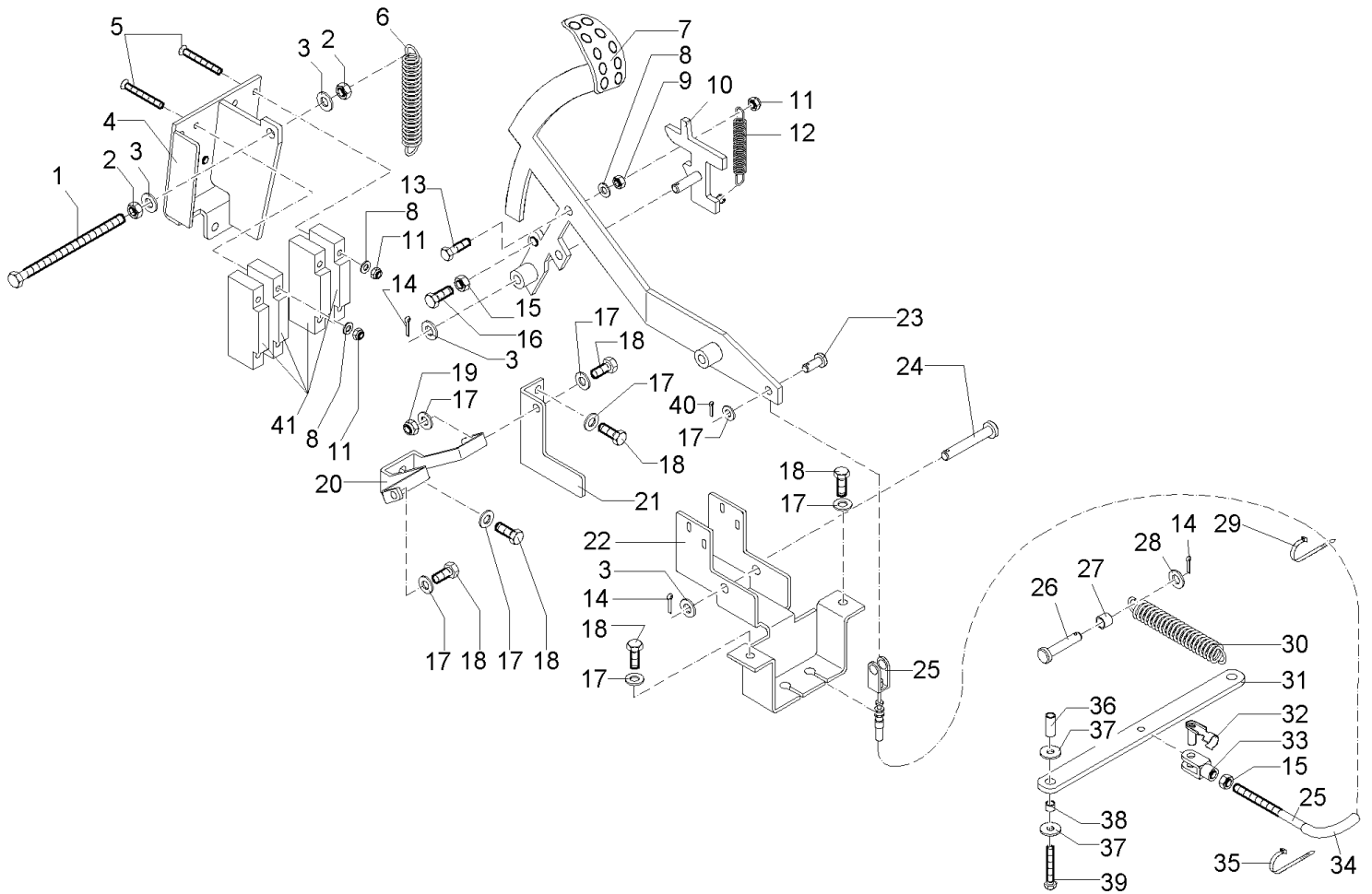
Brush case (99774413BT140)



Brush case (99774413BT140)

Item	Part number	Description	Qty.	Remarks
1	00671800	Engine		
2	00200170	PVC hose		
3	00744940	Support		
4	00874590	Hose clamp		
5	00051500	Hexagon nut		
6	00180190	Hose		
7	00901310	T-reducer muff		
8	00180190	Hose		
9	00059480	Feather key		
10	00053030	Hexagon screw		
11	00135120	Washer		
12	00861700	Spray tube		
13	00053160	Hexagon screw		
14	01053020	Angle		
15	00053100	Hexagon screw		
16	00512400	Carrier		
17	00879170	Washer		
18	00053090	Hexagon screw		
19	00051520	Hexagon nut		
20	00712120	Plate		
21	00112200	Fan hood		
23	00553060	Set (4pc.) carbon brush		
24	00696710	Pin housing		
26	00696740	Gasket		
27	99754800	Pad holder B 900/B 1500		
28	00712010	Center-lock, cpl.		
29	00681490	Center-lock, upper part		
30	00681500	Center-lock, lower part		
31	99754900	Pad brown		
32	99755000	Pad black		
33	99755100	Pad red		
34	00721980	Spraying guard		

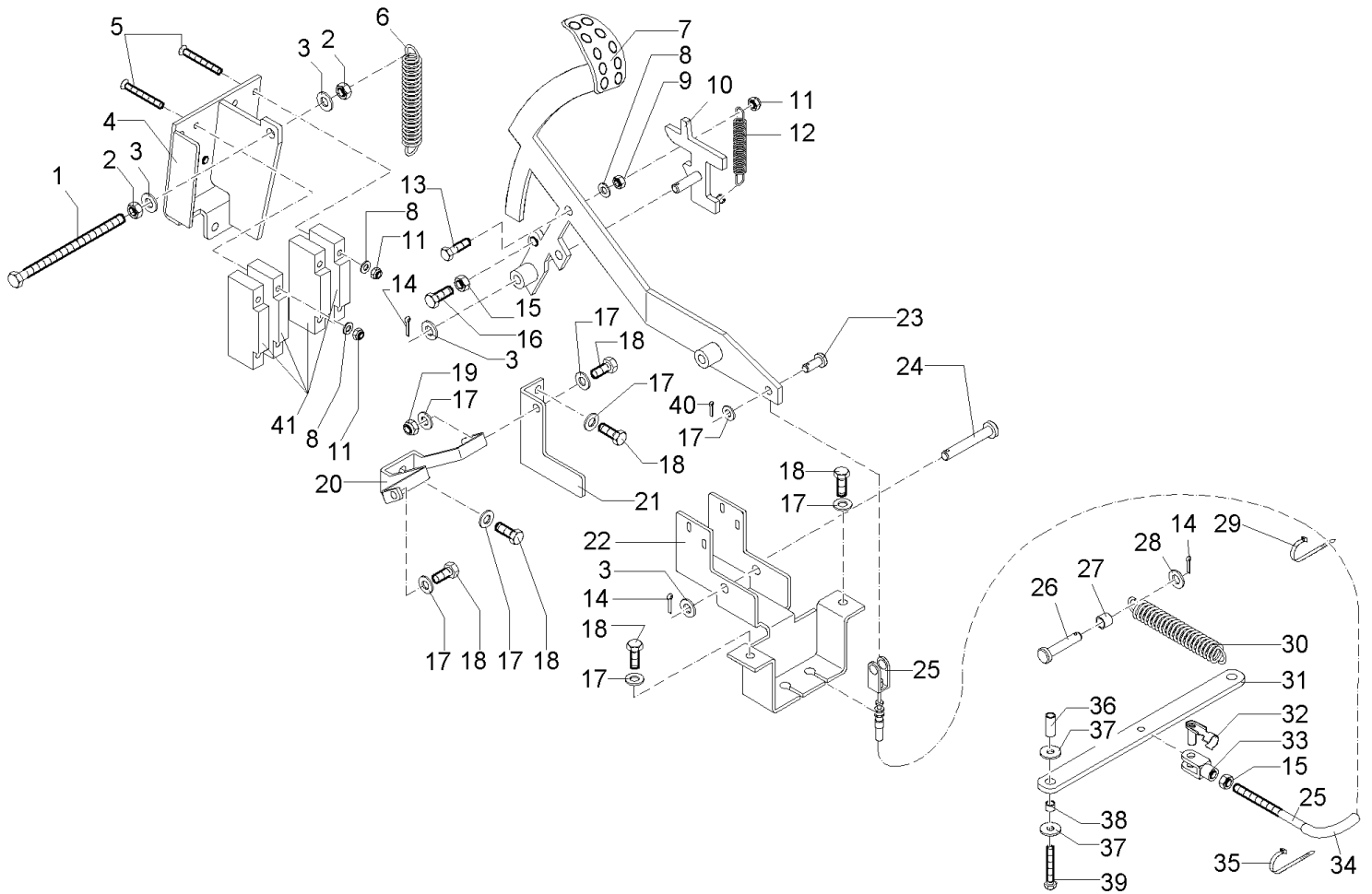
Brush pressure setting assy (99774413BT150)



Brush pressure setting assy (99774413BT150)

Item	Part number	Description	Qty.	Remarks
1	00964200	Hex.bolt		
2	00053360	Hexagon nut		
3	00053760	Washer		
4	03003700	Angle		
5	00127360	Countersunk screw		
6	01055930	Tension spring		
7	01055940	Pedal		
8	00053730	Washer		
9	00053330	Hexagon nut		
10	01055950	Switching lever		
11	00051520	Hexagon nut		
12	00055620	Tension spring		
13	00053040	Hex.bolt		
14	00553580	Cotter pin		
15	00053350	Hexagon nut		
16	00053100	Hexagon screw		
17	00053750	Washer		
18	00053090	Hexagon screw		
19	00051510	Hexagon nut		
20	03003710	Locking bow		
21	03003720	Locking angle		
22	01055960	Pedal mounting		
23	00055030	Bolt		
24	00556290	Bolt		
25	01055970	Bowden cable		
26	00879630	Bolt		
27	00553660	Spreader tube		
28	00053770	Washer		
29	00959390	Cable tie		
30	00705570	Tension spring		
31	00743710	Lever		
32	00706030	Bolt		
33	00027110	Fork yoke		
34	00711670	Hose		
35	00121010	Cable tie		
36	00855240	Bushing		

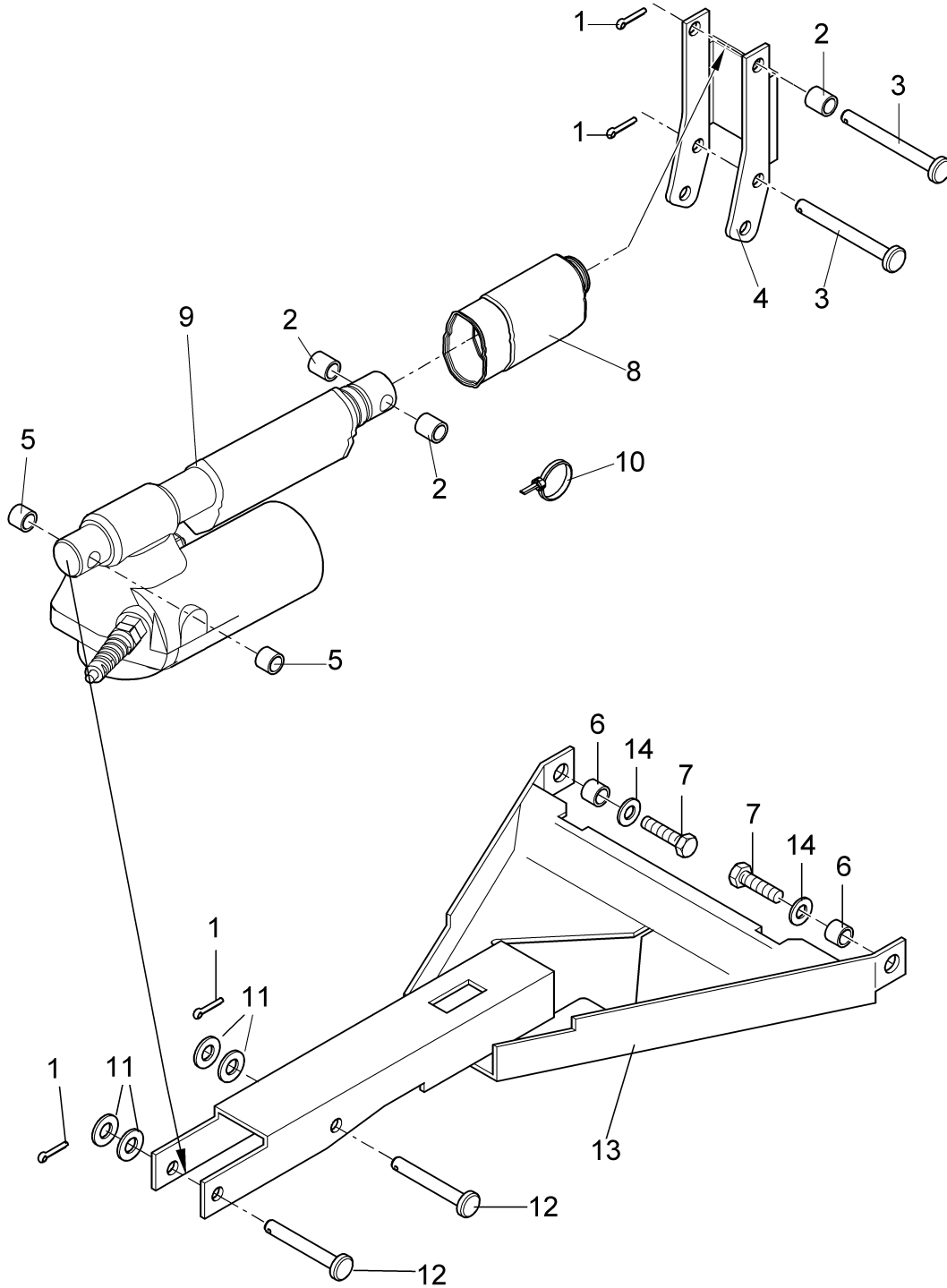
Brush pressure setting assy (99774413BT150)



Brush pressure setting assy (99774413BT150)

Item	Part number	Description	Qty.	Remarks
37	00042900	Washer		
38	00557730	Spreader tube		
39	00041600	Hex.bolt		
40	00054860	Cotter pin		
41	01055980	Block		

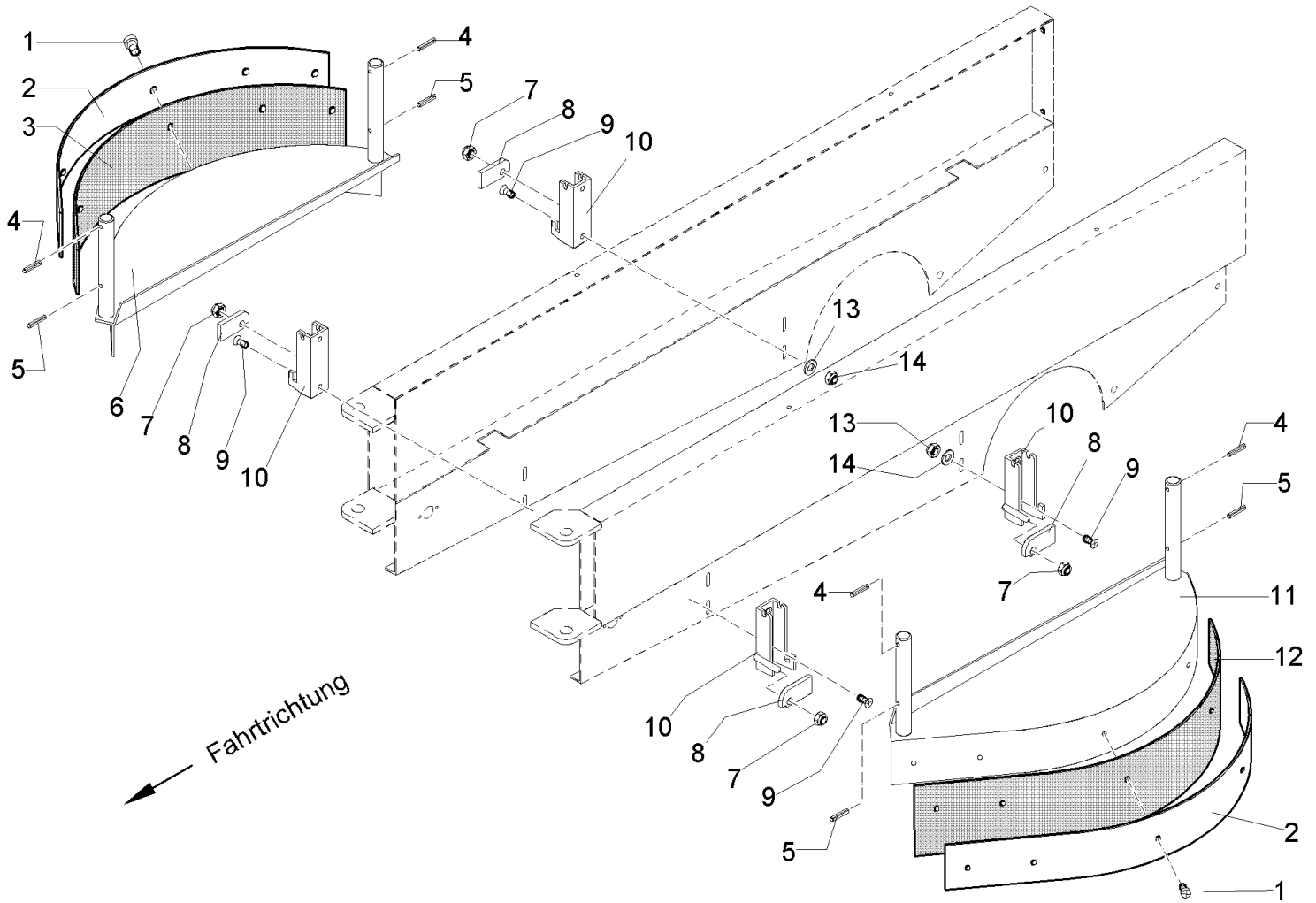
Brush lifting assy (99774413BT161)



Brush lifting assy (99774413BT161)

Item	Part number	Description	Qty.	Remarks
1	00553580	Cotter pin	4	
2	00553660	Spreader tube	3	
3	00879630	Bolt	2	
4	00742790	Lever	1	
5	00523340	Pipe	2	
6	00865090	Pipe	2	
7	00053110	Hexagon screw	2	
8	01078420	Dust cover	1	
9	01074350	Regulating motor	1	
10	00121150	Cable tie	1	
11	00053770	Washer	4	
12	00851560	Bolt	1	
13	01072770	Support, cpl.	1	
14	00053750	Washer	2	

Spraying guard (99774413BT170)





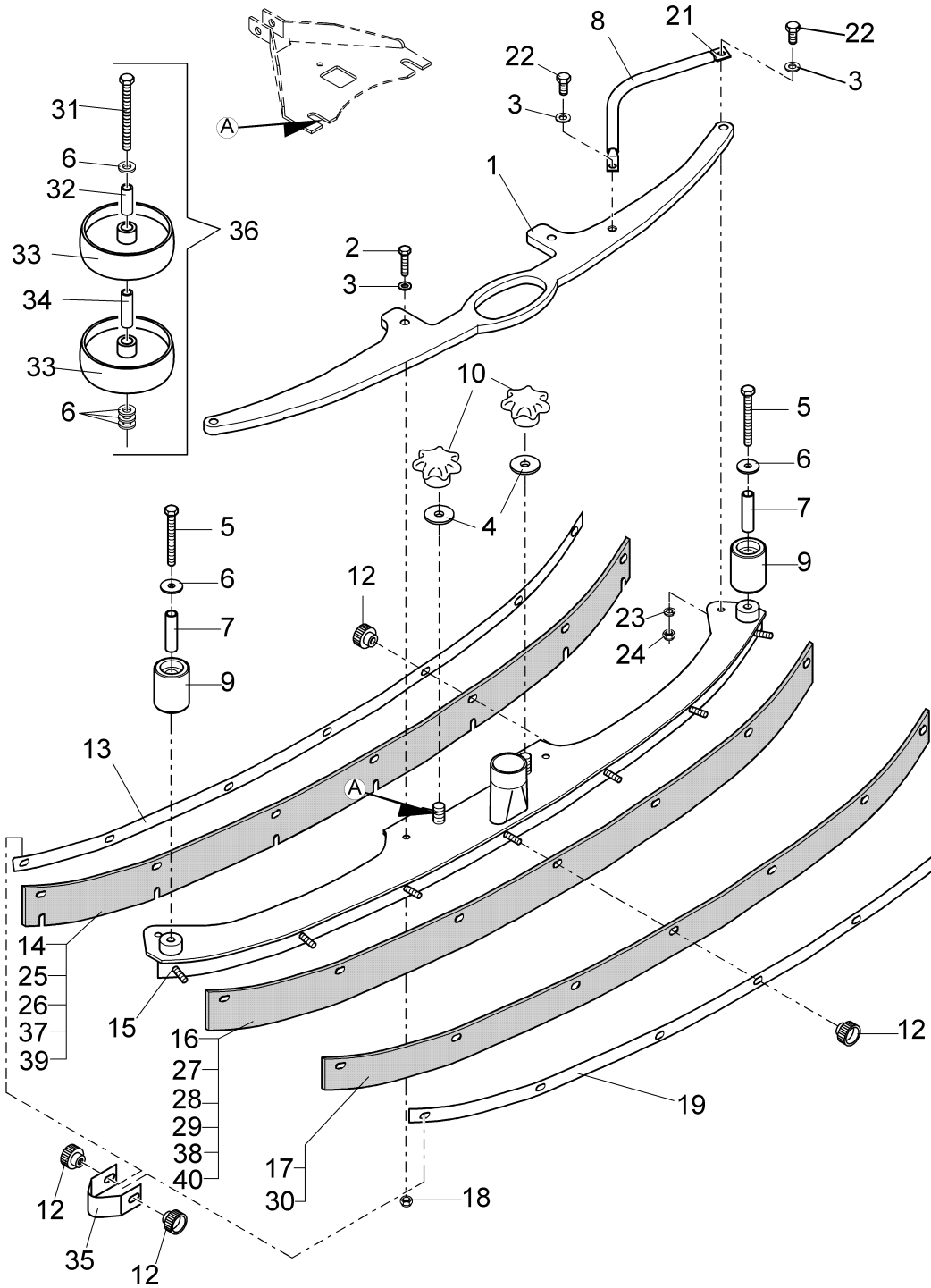
Spraying guard (99774413BT170)

Item	Part number	Description	Qty.	Remarks
1	00556950	Fillister-head screw		
2	01057300	Sheet metal		
3	01055990	Sealing strip R.H.		
4	00861020	Dowel pin		
5	00072450	Dowel pin		
6	01056010	Hoop guard right		
7	00051510	Hexagon nut		
8	01056030	Lock latch		
9	00154680	Countersunk screw		
10	01056040	Support		
11	01056020	Hoop guard left		
12	01056000	Sealing strip L.H.		
13	00051520	Hexagon nut		
14	00053730	Washer		

Squeegee 110cm (until eng.no.: 0018) (99774413BT180)

Assembly	Description	Page
97043707	Squeegee 110 cm	51
97069736	Lifting assy for suction base unit	56
97070031	Pendulum damper	58

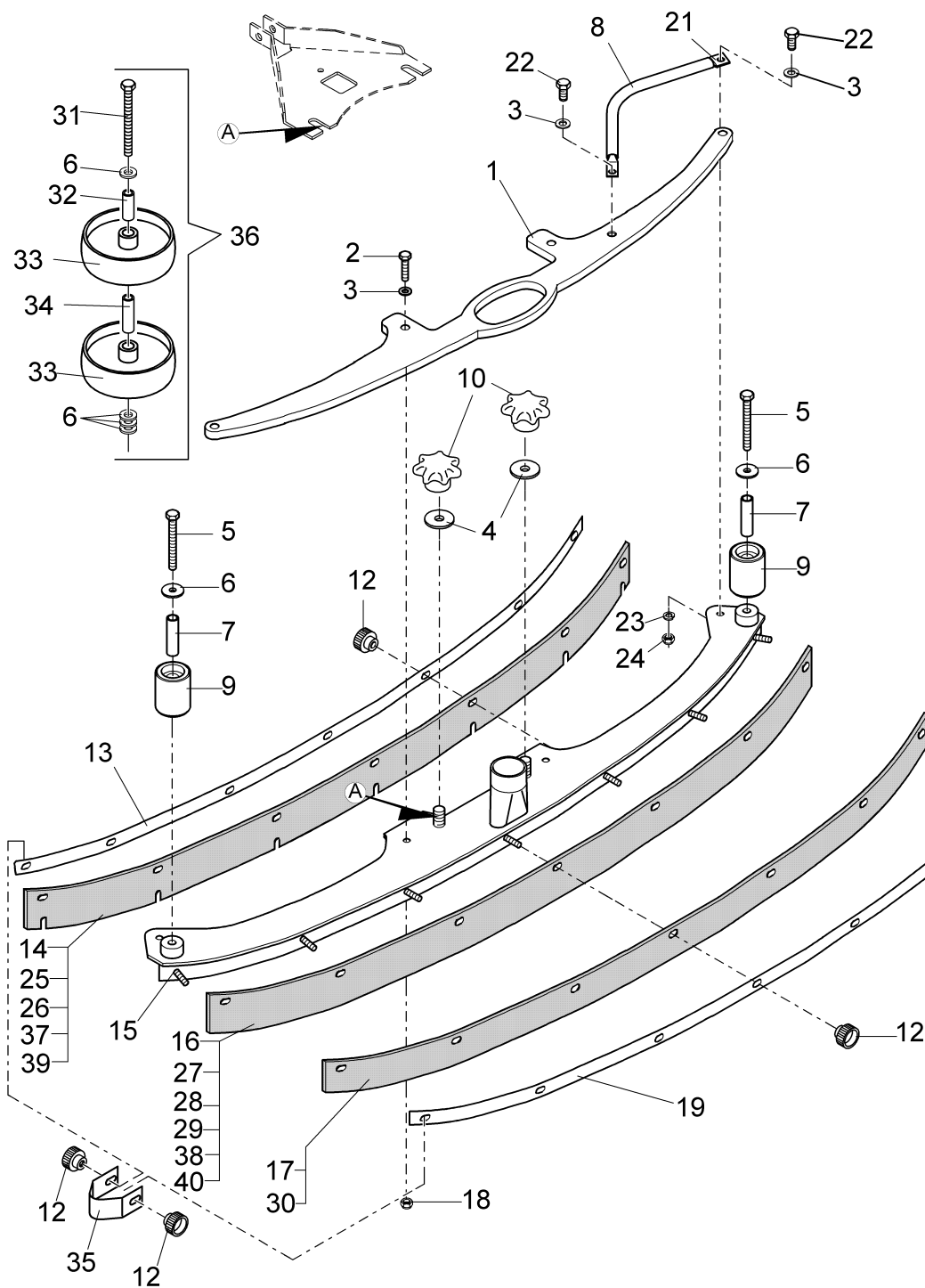
Squeegee 110 cm (97043707)



Squeegee 110 cm (97043707)

Item	Part number	Description	Qty.	Remarks
1	00034820	Sheet metal	1	
2	00053110	Hexagon screw	2	
3	00053750	Washer	6	
4	00972060	Disk wheel	2	
5	00557600	Hex.bolt	2	
6	00042900	Washer	10	
7	00976580	Pipe	2	
8	00911270	Hose	1	
9	00976590	Roller	2	
10	01179360	Star handle yellow	2	
12	00903210	Knurled nut	18	
13	00246020	Fitting strip	1	
14	00651420	sealing strip front, standard	1	
15	00036410	Squeegee	1	
16	00651390	Sealing strip, rear standard	1	
17	00651410	Supporting border	1	
18	00051510	Hexagon nut	2	
19	00246010	Fitting strip	1	
21	00911260	Handle	1	
22	00864230	Hex.bolt	2	
23	00053410	Lock washer	1	
24	00046500	Hex. Nut	1	
25	00442480	Sealing strip front, resistant to oil	1	
26	01050370	Sealing strip, front, high	1	
27	00442440	Sealing strip rear, resistant to oil	1	
28	00442540	Sealing strip, rear, soft	1	
29	01050380	Sealing strip, rear, high	1	
30	00442460	Supporting border, resistant to oil	1	
31	00746390	Hex.bolt	2	
32	00047560	Distance tube	2	
33	01050750	Wheel	4	
34	00974250	Spacer piece	2	
35	01050760	U-bow	2	
36	01050530	Retool set squeegee	1	
37	01075930	Slot strip PUR	1	
38	01075940	Sealing strip rear PUR	1	

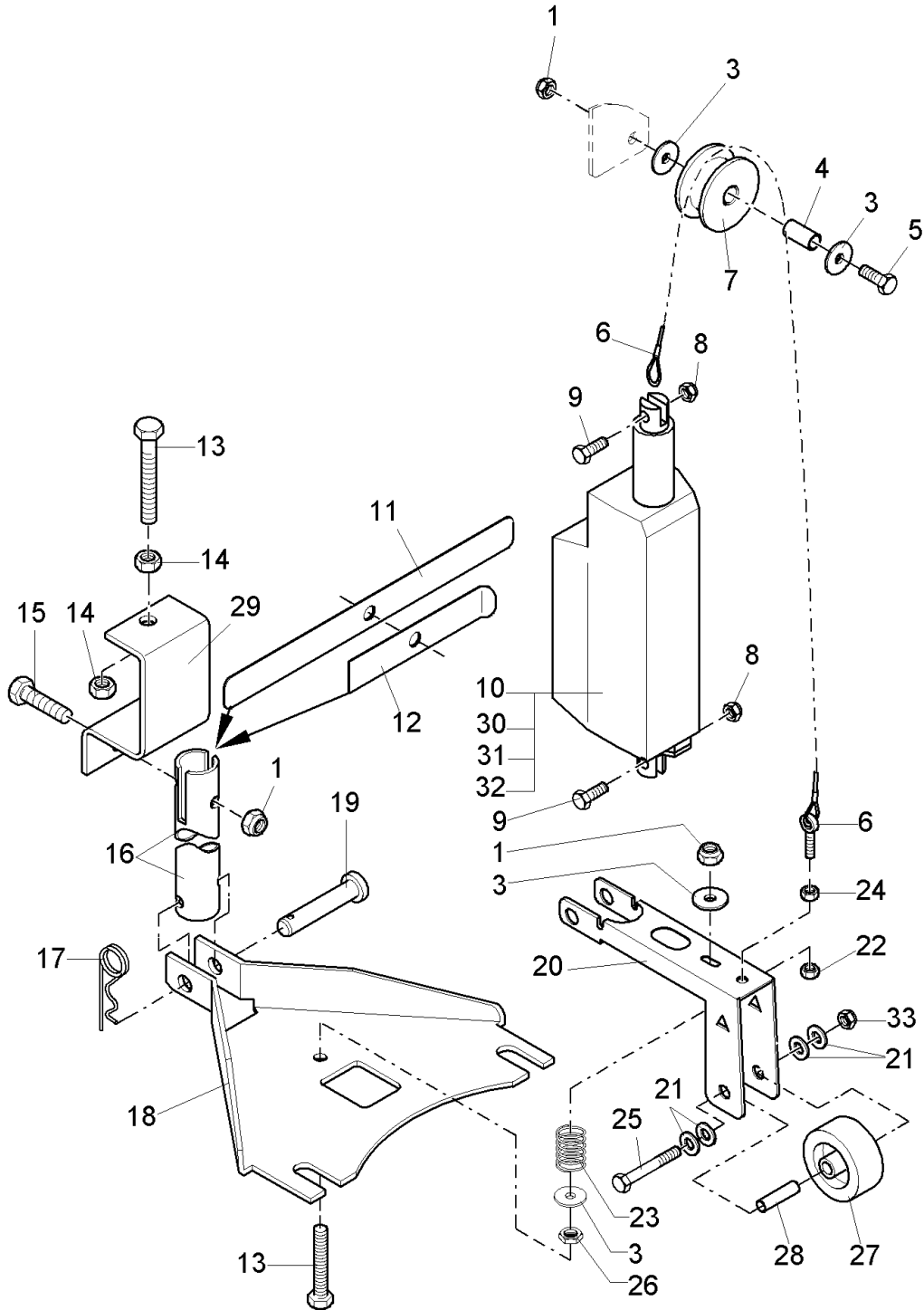
Squeegee 110 cm (97043707)



Squeegee 110 cm (97043707)

Item	Part number	Description	Qty.	Remarks
39	01077020	Sealing strip front, LINATEX	1	
40	01077030	Sealing strip rear, LINATEX	1	

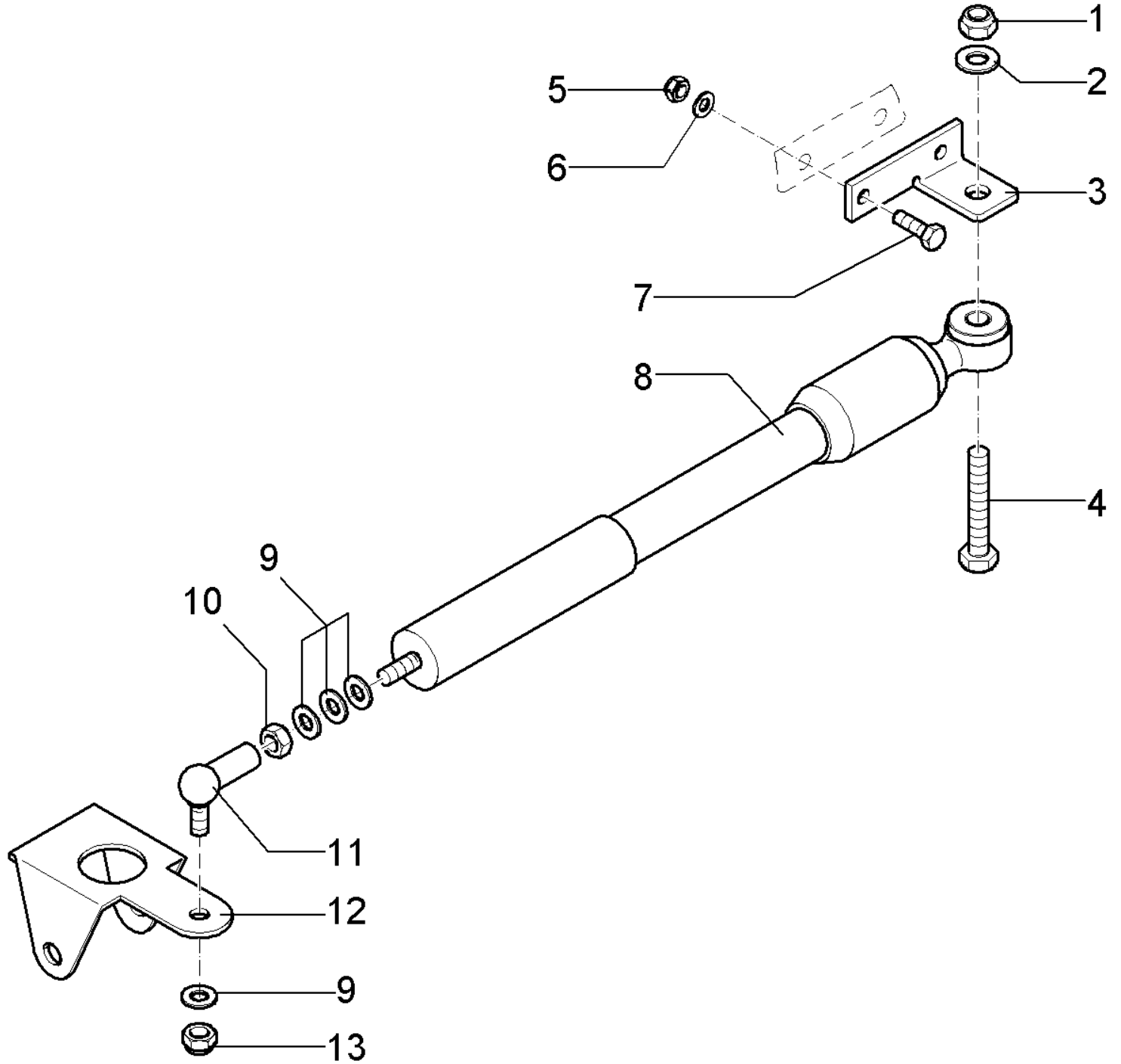
Lifting assy for suction base unit (97069736)



Lifting assy for suction base unit (97069736)

Item	Part number	Description	Qty.	Remarks
1	00051510	Hexagon nut		
3	00042900	Washer		
4	00855240	Bushing		
5	00133700	Hexagon screw		
6	01054900	Pull of the rope		
7	00972140	Roller		
8	00051500	Hexagon nut		
9	00123690	Hex.bolt		
10	00712430	Lifting element		
11	00500290	flat spring		
12	00158400	Spring		
13	00053260	Hex.bolt		
14	00053350	Hexagon nut		
15	00041600	Hex.bolt		
16	00745810	Pipe		
17	00744820	Spring cotter		
18	01054980	Support		
19	00556290	Bolt		
20	01054990	U-profil		
21	00854210	Washer		
22	00051520	Hexagon nut		
23	00550870	Cyl.compression spring		
24	00053330	Hexagon nut		
25	00047910	Hex.bolt		
26	00046500	Hex. Nut		
27	00902580	Wheel		
28	00902560	Bushing		
29	00745820	Angle		
30	00874660	Micro switch		
31	00903180	Plastic cover		
32	00903190	Tab		
33	00102140	Hexagon nut		

Pendulum damper (97070031)



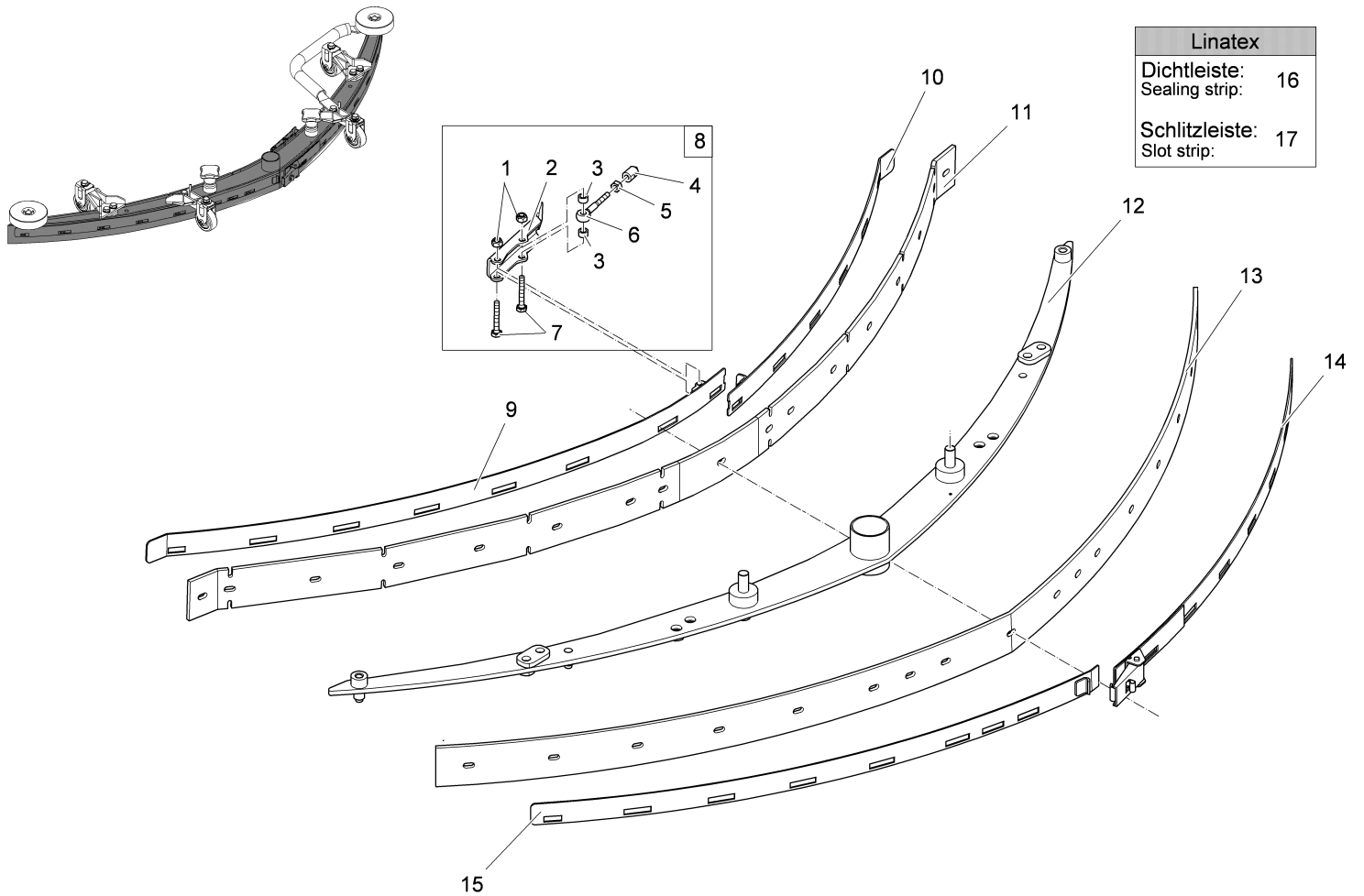
Pendulum damper (97070031)

Item	Part number	Description	Qty.	Remarks
1	00051500	Hexagon nut		
2	00053760	Washer		
3	01056070	Support plate		
4	00052510	Hex.bolt		
5	00051520	Hexagon nut		
6	00053730	Washer		
7	00053020	Hexagon screw		
8	00271420	Damper		
9	00053750	Washer		
10	00053350	Hexagon nut		
11	00527690	Angle joint		
12	01056080	U-panel		
13	00051510	Hexagon nut		

Squeegee 110cm (from eng.no.: 0019) (99774413BT190)

Assembly	Description	Page
97096234-1	Squeegee 110cm part 1	61
97096234-2	Squeegee 110cm part 2	64
97099725	Lifting assy for suction base unit	66

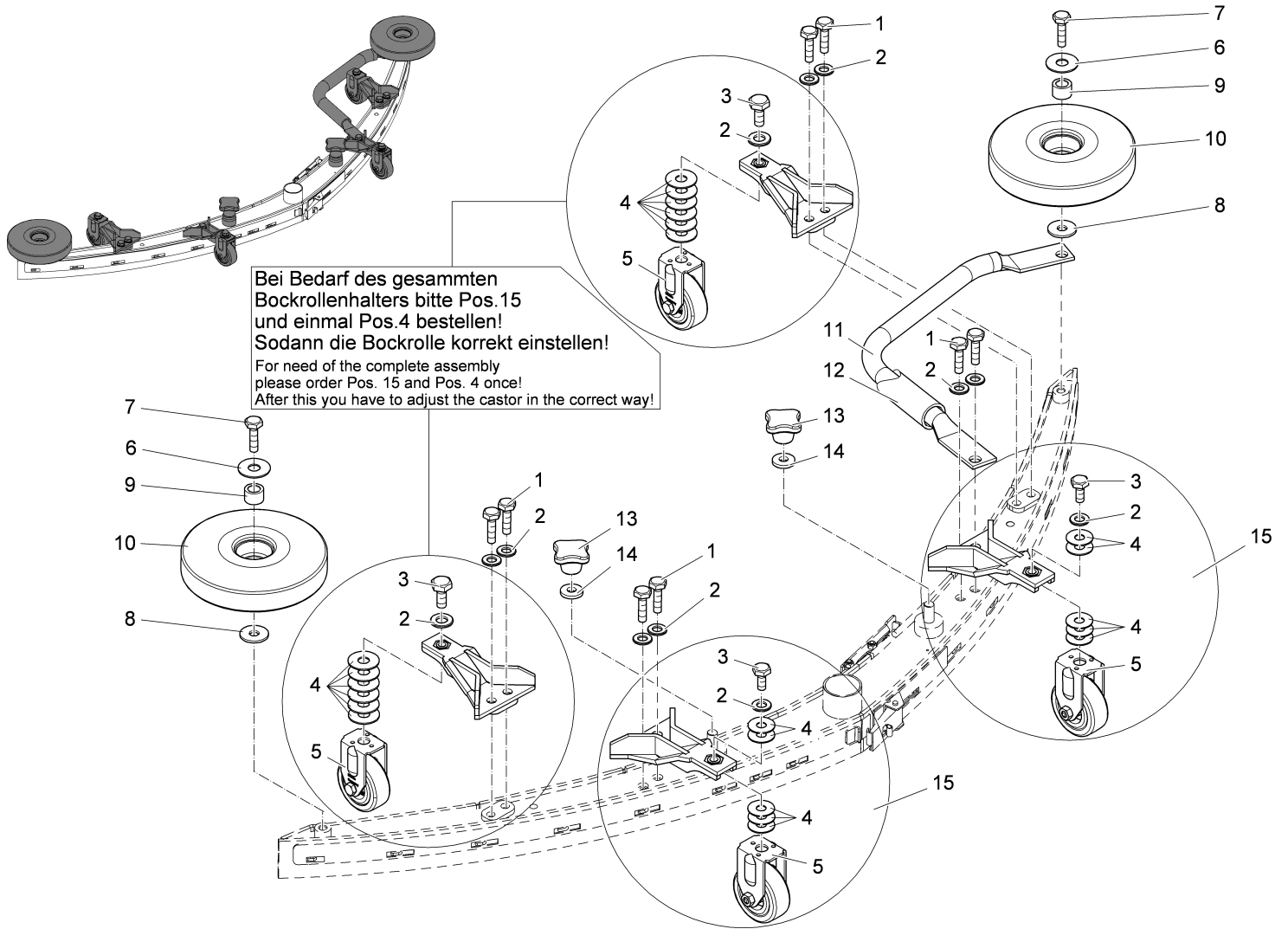
Squeegee 110cm part 1 (97096234-1)



Squeegee 110cm part 1 (97096234-1)

Item	Part number	Description	Qty.	Remarks
1	01017660	Hex. Nut	2	
2	01077580	Lever	1	
3	01077590	Bushing	2	
4	01078090	Pressure piece	1	
5	00902250	Hex. Nut	1	
6	01077500	Eye bolt	1	
7	01079890	Hexagon screw	2	
8	00009010	Lock suction unit	1	
9	01079880	Front tension band	1	
10	01079870	Front tension band	1	
11	01079790	Slot strip	1	
12	01079900	Suction unit 1110mm	1	
13	01079780	Sealing strip	1	
14	01079910	Rear tension band	1	
15	01079920	Rear tension band	1	
16	01179200	Sealing strip Linatex	1	or 110cm squeegee
17	01179190	Slot strip Linatex	1	or 110cm squeegee

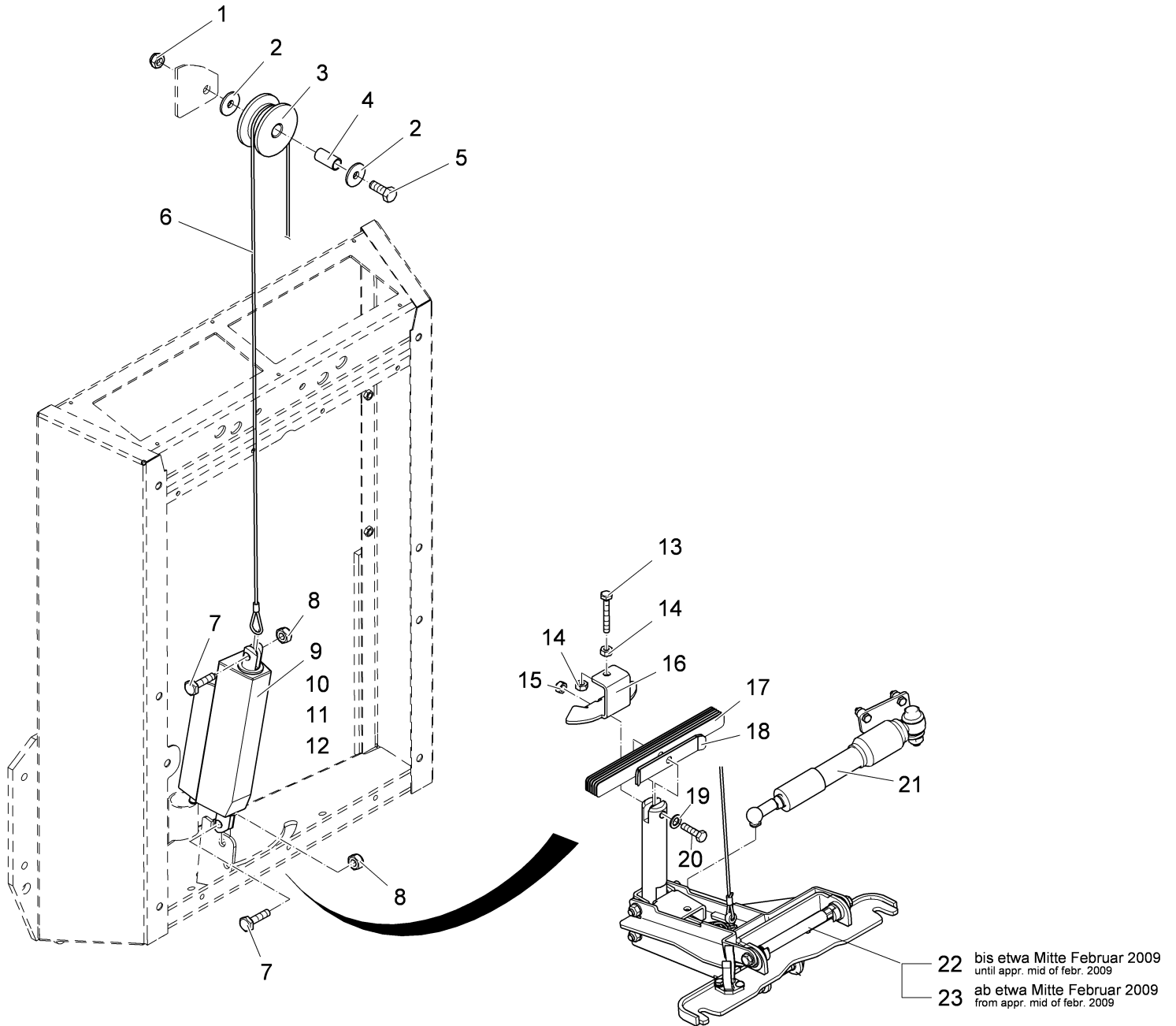
Squeegee 110cm part 2 (97096234-2)



Squeegee 110cm part 2 (97096234-2)

Item	Part number	Description	Qty.	Remarks
1	01078690	Hexagon screw	4	
2	00101550	Washer	12	
3	01071740	Hex.bolt	4	
4	01079080	Spacer	22	
5	01077810	Fixed castor	4	
6	01079080	Spacer	2	
7	01059530	Hexagon screw	2	
8	00902280	Washer	2	
9	00879030	Pipe	2	
10	01171790	Deflector roller	2	
11	01079930	Bracket	1	
12	00911270	Hose	305 mm	
13	01179360	Star handle yellow	2	
14	00972060	Disk wheel	2	
15	01079070	Fixed castor	2	

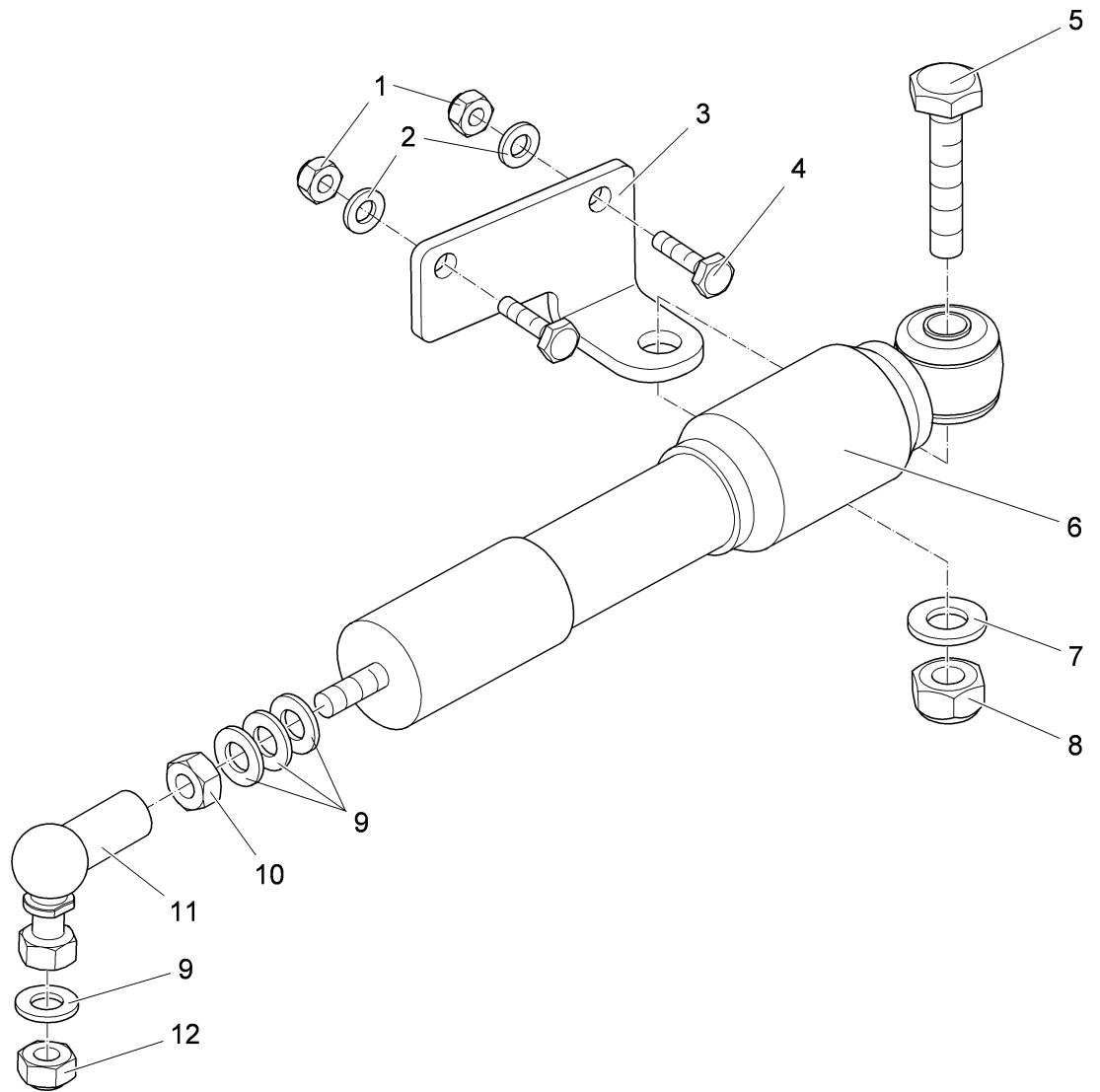
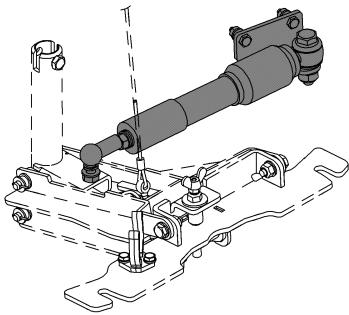
Lifting assy for suction base unit (97099725)



Lifting assy for suction base unit (97099725)

Item	Part number	Description	Qty.	Remarks
1	00051510	Hexagon nut	1	
2	00042900	Washer	1	
3	00972140	Roller	1	
4	00855240	Bushing	1	
5	00133700	Hexagon screw	1	
6	01079980	Linkage	1	
7	00123690	Hex.bolt	1	
8	00051500	Hexagon nut	1	
9	00712430	Lifting element	1	
10	00874660	Micro switch	1	
11	00903180	Plastic cover	1	
12	00903190	Tab	1	
13	00053260	Hex.bolt	1	
14	00053350	Hexagon nut	2	
15	00051510	Hexagon nut	1	
16	01170640	Angle	1	
17	00500290	flat spring	6	
18	00158400	Spring	2	
19	00053750	Washer	1	
20	00041600	Hex.bolt	1	
21	97099261	Damper	Page	68
22	97099766	Lifting	Page	70
23	97106439	Lifting	Page	74

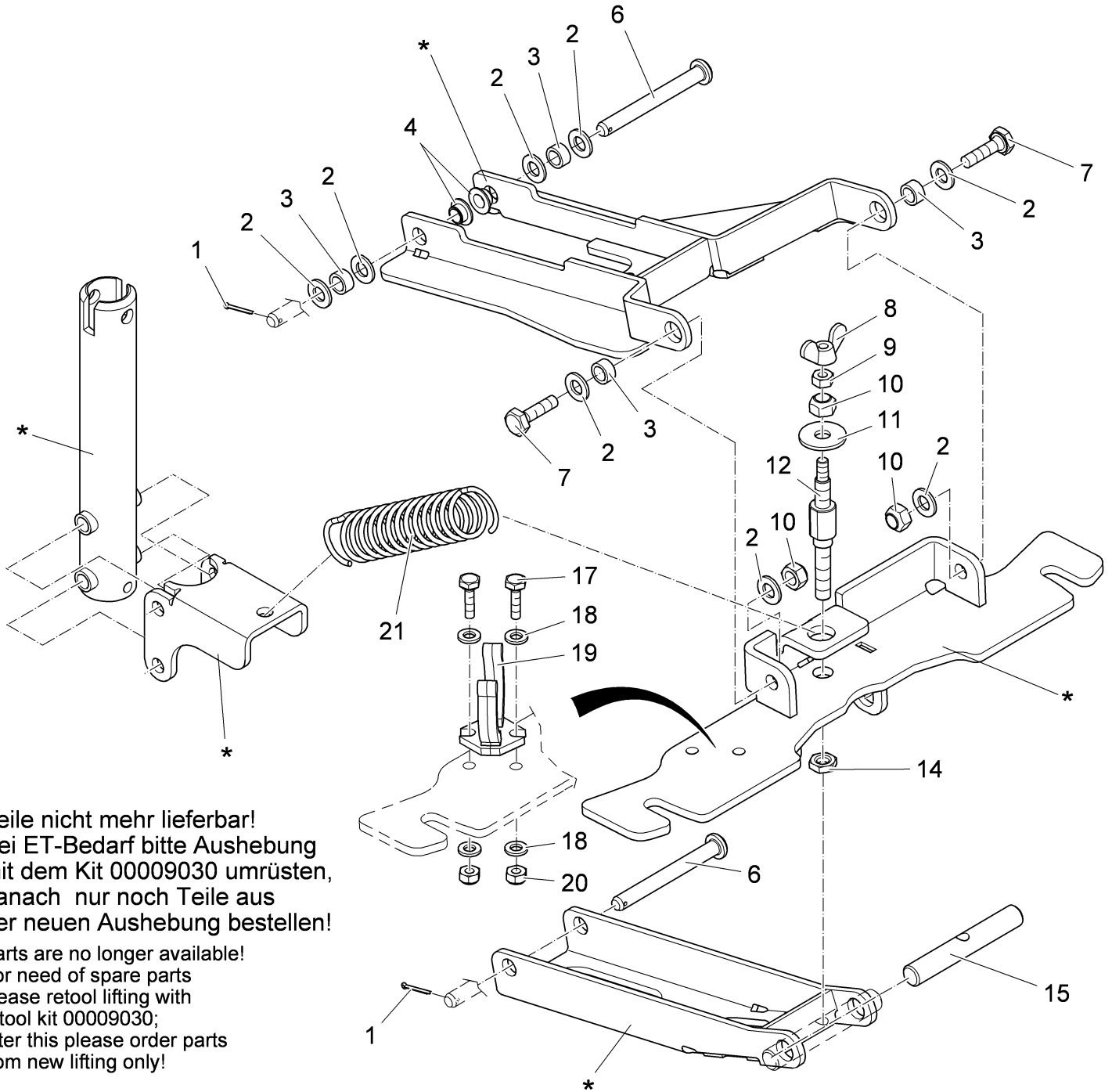
Damper (97099261)



Damper (97099261)

Item	Part number	Description	Qty.	Remarks
1	00051520	Hexagon nut	2	
2	00053730	Washer	2	
3	01170690	Angle	1	
4	00053020	Hexagon screw	2	
5	00052510	Hex.bolt	1	
6	00271420	Damper	1	
7	00053760	Washer	1	
8	00051500	Hexagon nut	1	
9	00053750	Washer	4	
10	00053350	Hexagon nut	1	
11	00527690	Angle joint	1	
12	00051510	Hexagon nut	1	

Lifting (97099766)



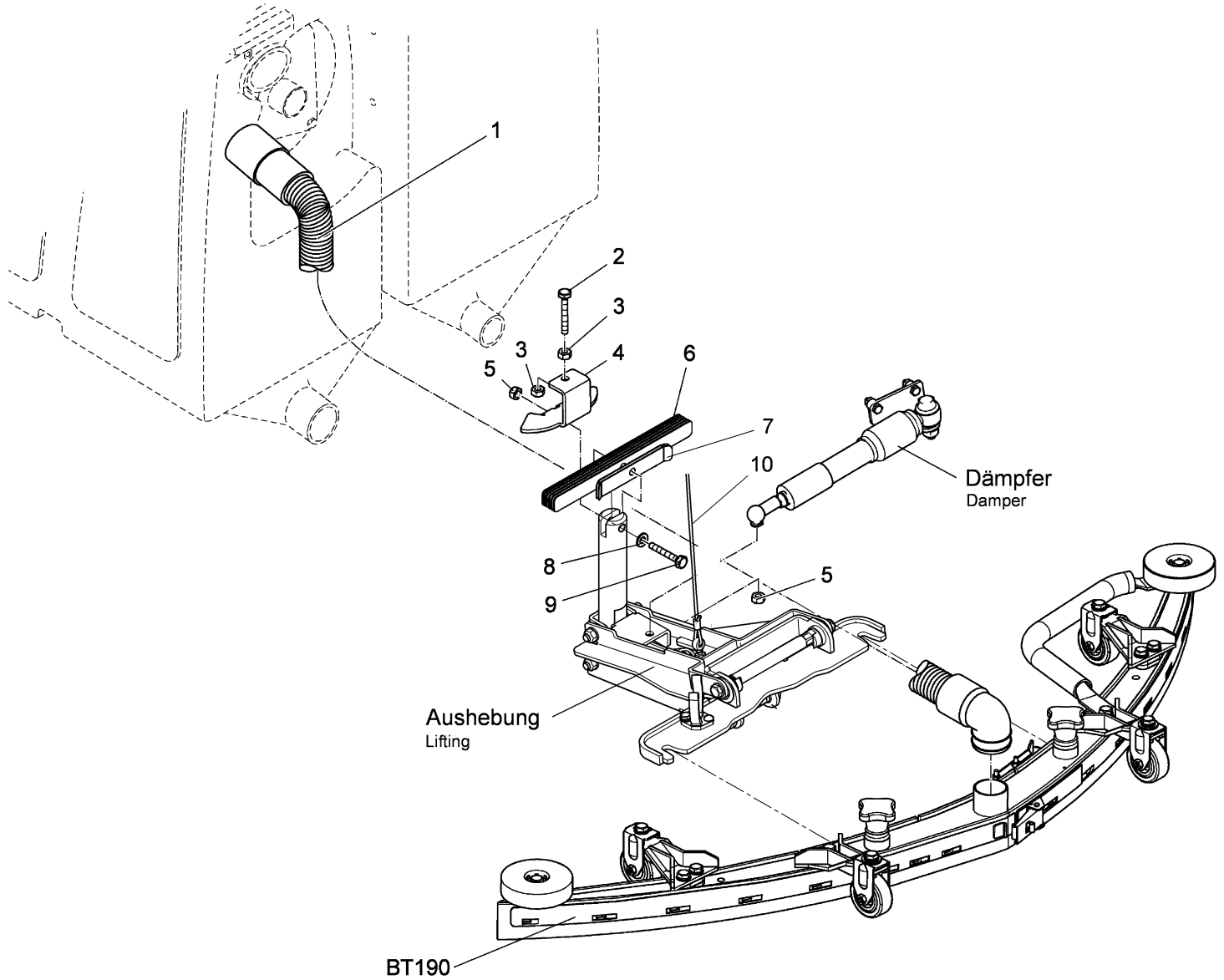
***: Teile nicht mehr lieferbar!**
 Bei ET-Bedarf bitte Aushebung
 mit dem Kit 00009030 umrüsten,
 danach nur noch Teile aus
 der neuen Aushebung bestellen!

Parts are no longer available!
 For need of spare parts
 please retool lifting with
 retool kit 00009030;
 after this please order parts
 from new lifting only!

Lifting (97099766) 1900-01-01 --> 2009-02-14

Item	Part number	Description	Qty.	Remarks
1	00054860	Cotter pin	2	
2	00053750	Washer	10	
3	01077700	Bushing	4	
4	01078230	Slide bearing bush	4	
6	01078220	Bolt	2	
7	00053100	Hexagon screw	2	
8	00054020	Wing nut	1	
9	00053330	Hexagon nut	1	
10	00051510	Hexagon nut	3	
11	00042900	Washer	1	
12	01077850	Threaded pin	1	
14	00046500	Hex. Nut	1	
15	01077680	Bolt	1	
17	00053020	Hexagon screw	2	
18	00053730	Washer	4	
19	01078120	Hose support	1	
20	00051520	Hexagon nut	3	
21	01078150	Tension spring	1	
KIT	00009030	Retool kit LIFTING SUCTION UNIT B910	Page	72

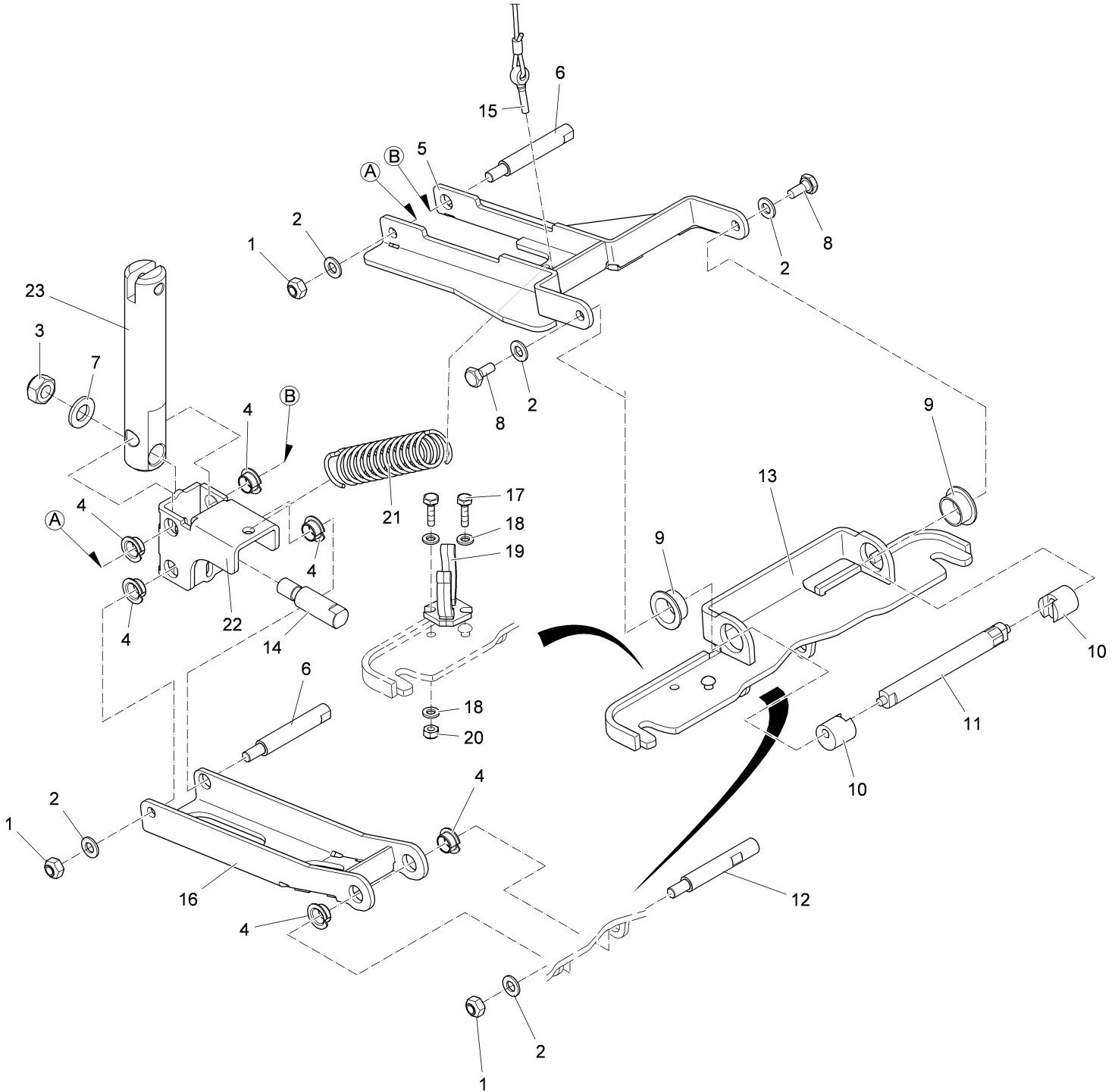
Retool kit LIFTING SUCTION UNIT B910 (00009030)



Retool kit LIFTING SUCTION UNIT B910 (00009030)

Item	Part number	Description	Qty.	Remarks
1	01079310	Hose	1	
2	00053260	Hex.bolt	1	
3	00053350	Hexagon nut	2	
4	01170640	Angle	1	
5	00051510	Hexagon nut	1	
6	00500290	flat spring	6	
7	00158400	Spring	2	
8	00053750	Washer	8	
9	00041600	Hex.bolt	1	
10	01079980	Linkage	1	

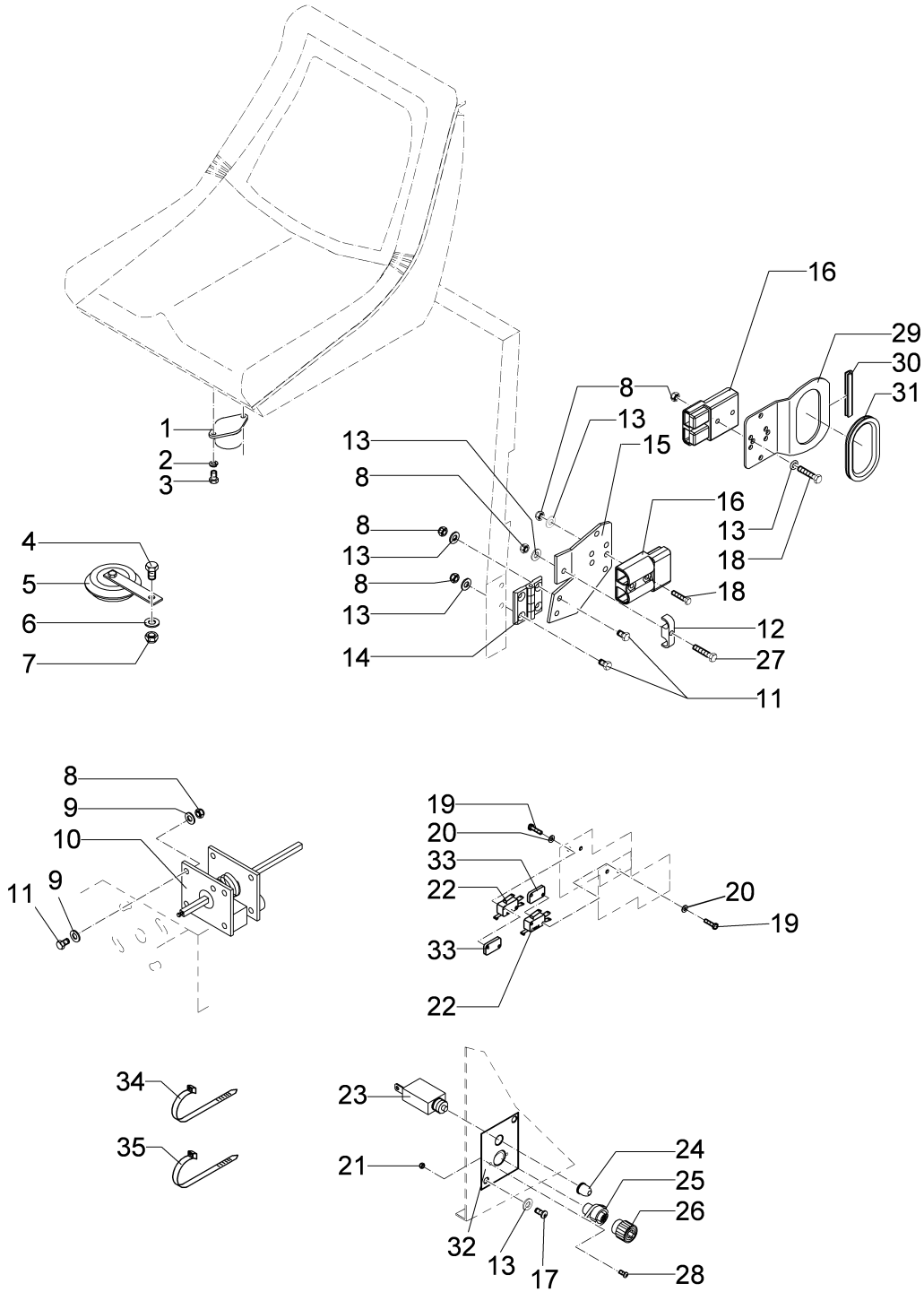
Lifting (97106439)



Lifting (97106439) 2009-02-15 -->

Item	Part number	Description	Qty.	Remarks
1	00051510	Hexagon nut	3	
2	00053750	Washer	5	
3	00051490	Hexagon nut	1	
4	01171330	Slide bearing bush	6	
5	01178370	Angle	1	
6	01178380	Threaded bolt	2	
7	00053770	Washer	1	
8	01071740	Hex.bolt	2	
9	01130470	Slide bearing bush	2	
10	01171370	Excentric	2	
11	01171360	Shaft	1	
12	01171540	Threaded bolt	1	
13	01171310	Sheet metal	1	
14	01178390	Threaded bolt	1	
15	01079980	Linkage	1	
16	01178400	Truss	1	
17	00053020	Hexagon screw	1	
18	00053730	Washer	2	
19	01078120	Hose support	1	
20	00051520	Hexagon nut	1	
21	01078150	Tension spring	1	
22	01178410	Round part	1	
23	01178420	Shaft	1	

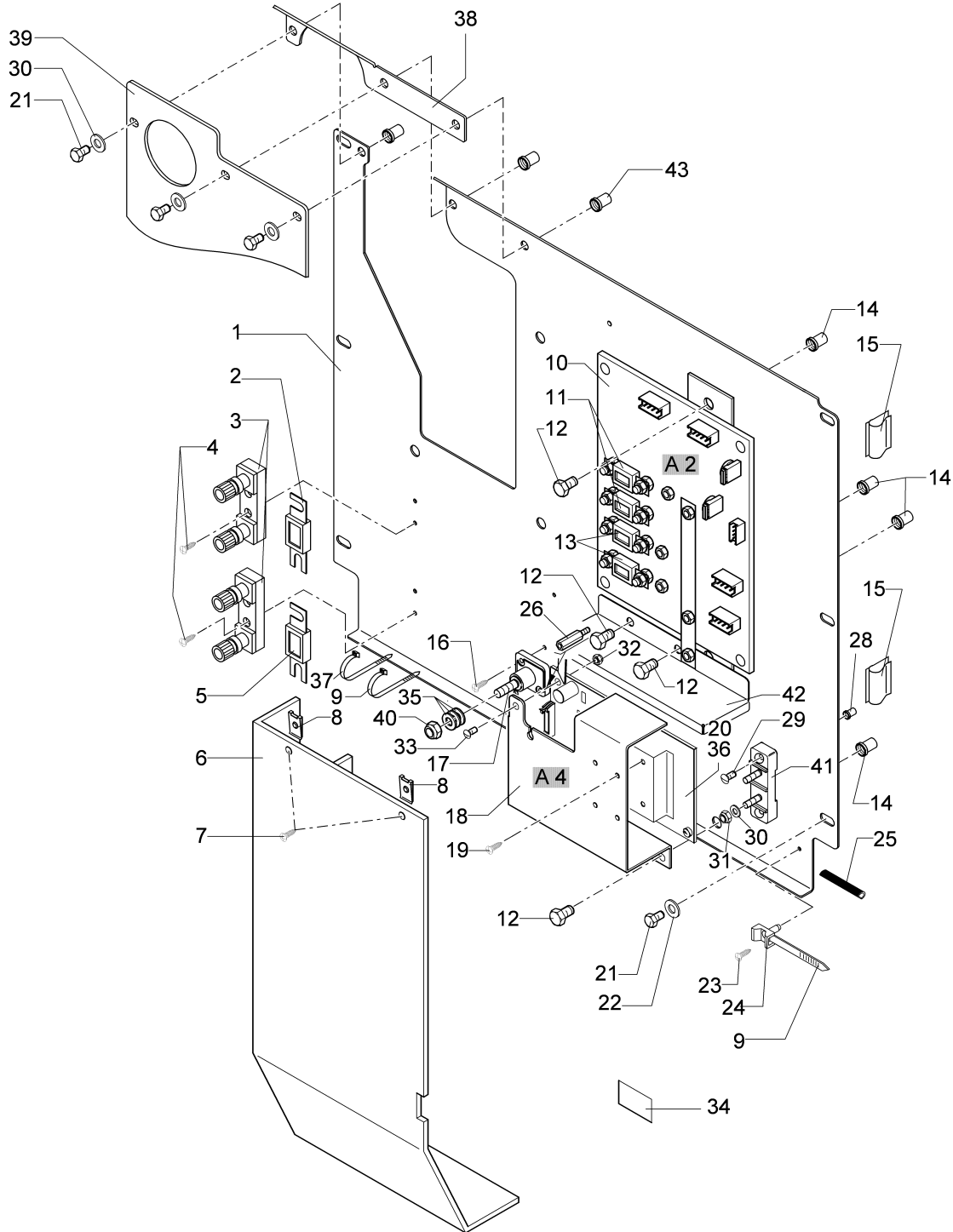
Electric (part 1) (97099709-1)



Electric (part 1) (97099709-1)

Item	Part number	Description	Qty.	Remarks
1	00905240	Contact switch for seat	1	
2	00905250	Lock washer	2	
3	00522140	Hex.bolt	2	
4	00053090	Hexagon screw	2	
5	00852420	Signal horn	1	
6	00053750	Washer	1	
7	00051510	Hexagon nut	1	
8	00051520	Hexagon nut	7	
9	00135120	Washer	4	
10	00712190	Switch unit	1	
11	00053020	Hexagon screw	4	
12	00748300	Clamp	1	
13	00053730	Washer	7	
14	00740450	Hinge	1	
15	03003730	Retainer	1	
16	01075720	Connector	2	
17	00556950	Fillister-head screw	2	
18	00053290	Hexagon screw	2	
19	00022180	Hex.bolt	2	
20	00747400	Washer	4	
21	00022200	Hex. Nut	2	
22	00975510	Micro switch	2	
23	00041140	Protective switch (Overvoltage)	1	
24	00902480	Lens cap	1	
25	00059670	Socket	1	
26	00059680	Lens cap	1	
27	00053040	Hex.bolt	1	
28	00504550	Fillister-head screw	2	
29	XXXXXXXX	no part-No. til yet	1	90559865 Handle
30	00721090	Edge protection	700mm	
31	00721090	Edge protection	2220mm	
32	03003740	Plate	1	
33	01074840	Thread base plate	2	
34	00121010	Cable tie	30	
35	00967760	Cable tie	6	

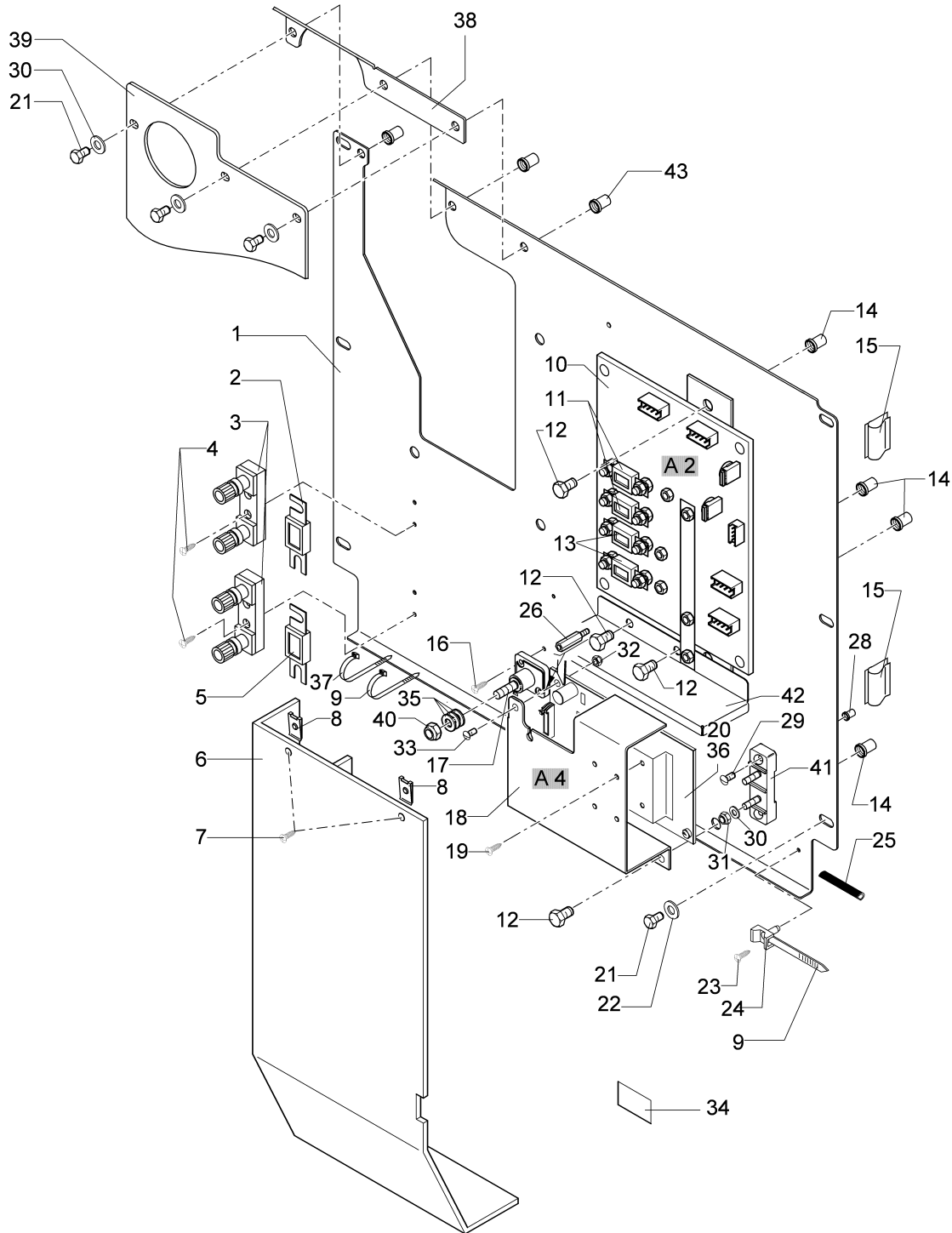
Electric (Part 2) (97099709-2)



Electric (Part 2) (97099709-2)

Item	Part number	Description	Qty.	Remarks
1	03003750	Control panel	1	
2	01056100	Fuse	1	
3	00121440	Fuse holder	2	
4	00157110	Tapping screw	6	
5	00059580	Fuse	1	
6	00712150	Dust cover	1	
7	00538900	Tapping screw	2	
8	00903540	Snap nut	2	
9	00121010	Cable tie	2	
10	00752920	Module	1	
11	00876690	Fuse	2	
12	00151810	Hexagon screw	4	
13	00744700	Fuse	2	
14	00552770	Rivet nut	4	
15	00020650	Cable clip	2	
16	00157110	Tapping screw	6	
17	00744670	Single clamp	1	
18	03003760	Cooling plate	1	
19	00132360	lens head screw M4x10	4	
20	01055000	Driving control	1	
21	00025260	Hexagon screw	5	
22	00135120	Washer	5	
23	00134850	Tapping screw	1	
24	00780710	Socket	1	
25	00721090	Edge protection	50mm	
26	01074370	Spacer bolt	1	
28	00523260	Riveting nut	2	
29	00073160	Countersunk screw	2	
30	00053730	Washer	2	
31	00051520	Hexagon nut	1	
32	00133830	Hex. Nut	1	
33	00132360	lens head screw M4x10	1	
34	03003000	Transparency	2	
35	00053750	Washer	3	
36	01075430	indicator diode	1	
37	00967760	Cable tie	1	

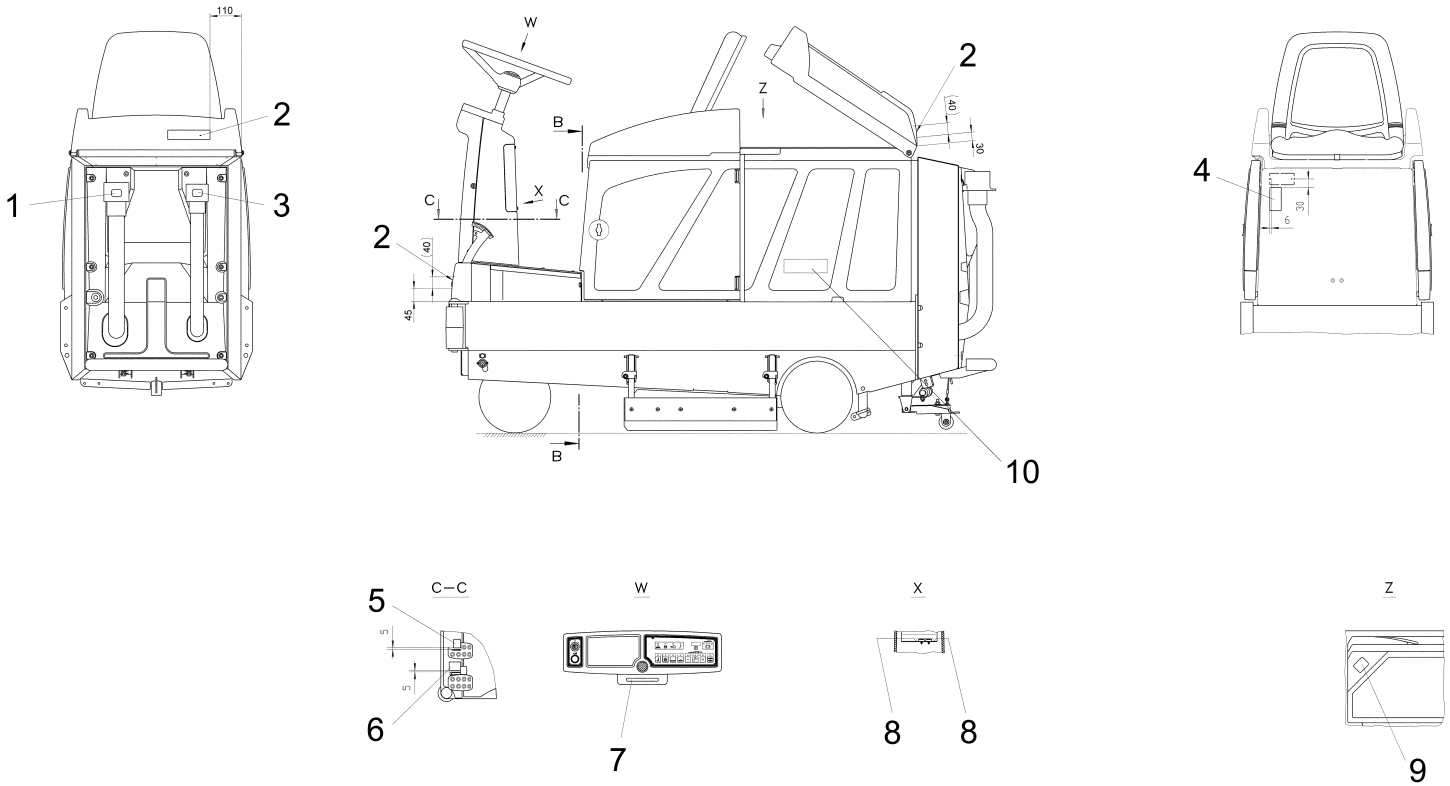
Electric (Part 2) (97099709-2)



Electric (Part 2) (97099709-2)

Item	Part number	Description	Qty.	Remarks
38	01174780	Sheet metal	1	
39	01174790	Splash guard	1	
40	00051510	Hexagon nut	1	
41	00152830	Clamp strip	1	
42	01174800	Sheet metal	1	
43	00133120	Nut	3	

Labels Admiral 36 (97100085)



Labels Admiral 36 (97100085)

Item	Part number	Description	Qty.	Remarks
1	01170060	Decal FOUL WATER	1	
2	03008390	Decal POWERBOSS	1	
3	01170150	Decal SOLUTION TANK	1	
4	01071710	Decal "Instruction manual"	1	
5	01074580	Decal BRUSH PRESSURE	1	
6	01131560	Decal PARKING BRAKE	1	
7	03008010	Decal ADMIRAL SERIES	1	
8	03003000	Transparency	2	"5A"
9	01074400	Decal caustic solution tank	1	
10	03008960	Decal ADMIRAL 36	1	

Warranty Information

Revision F
Effective November 1, 2008
PowerBoss Made Simple Industrial Limited Warranty

Minuteman International owner of PowerBoss warrants to the original purchaser/user that the product is free from defects in workmanship and materials under normal use. PowerBoss will, at its option, repair or replace without charge, parts that fail under normal use and service when operated and maintained in accordance with the applicable operation and instruction manuals. All warranty claims must be submitted through and approved by factory authorized repair stations.

This warranty does not apply to normal wear, or to items whose life is dependent on their use and care. Parts not manufactured by PowerBoss are covered by and subject to the warranties and/or guarantees of their manufacturers. Please contact Minuteman International for procedures in warranty claims against these manufacturers.

Special warning to purchaser -- Use of replacement parts not manufactured by PowerBoss or its designated licensees, will void all warranties expressed or implied. A potential health hazard exists without original equipment replacement.

All warranted items become the sole property of Minuteman International or PowerBoss or its original manufacturer, whichever the case may be.

PowerBoss disclaims any implied warranty, including the warranty of merchantability and the warranty of fitness for a particular purpose. PowerBoss assumes no responsibility for any special, incidental or consequential damages.

This limited warranty is applicable only in the U.S.A. and Canada, and is extended only to the original user/purchaser of this product. Customers outside the U.S.A. and Canada should contact their local distributor for export warranty policies. PowerBoss is not responsible for costs or repairs performed by persons other than those specifically authorized by PowerBoss. This warranty does not apply to damage from transportation, alterations by unauthorized persons, misuse or abuse of the equipment, use of non-compatible chemicals, or damage to property, or loss of income due to malfunctions of the product. If a difficulty develops with this machine, you should contact the dealer from whom it was purchased.

This warranty gives you specific legal rights, and you may have other rights, which vary from state to state. Some states do not allow the exclusion or limitation of special, incidental or consequential damages, or limitations on how long an implied warranty lasts, so the above exclusions and limitations may not apply to you.

	Travel*	Labor	Parts	Engine	Extended Warranty	Costs
Walk behinds						
Battery sweepers	Ninety days	One year	One year	N/A	2 years Parts + Labor (or 2000 Hours)	2%
IC sweepers	Ninety days	One year	One year	Through manufacturer	2 years Parts + Labor (or 2000 Hours)	2%
Battery scrubbers	Ninety days	Two years	Three years	N/A	3 Years Parts + Labor (or 3000 Hours)	2%
Riders						
Battery scrubbers	Ninety days	Two years	Three years/2000 hrs	N/A	3 Years Parts + Labor (or 3000 Hours)	2%
IC sweeper/scrubbers	Ninety days	Six months	Two years/2000 hrs	Two years/3000 hrs**	2 years Parts + Labor (or 2000 Hours)	3%
IC sweepers	Ninety days	Six months	Four years/3000 hrs	Five years/3000 hrs**	4 Years Parts + 2 Years Labor (or 4000 Hours)	3%
Exceptions						
Apex series sweeper	Ninety days	One year	One year/1000 hrs	One year/1000 hrs**	2 years Parts + Labor (or 2000 Hours)	3%
6X sweeper	Ninety days	Six months	Two years/2000 hrs	Two years/2000 hours**	2 years Parts + Labor (or 2000 Hours)	3%

Tank Bladders Eight years/ no additional labor
Polypropylene plastic tanks Ten years/ no additional labor
Batteries 0-3 months full replacement, 4-12 prorated credit
Chargers One-year replacement
Replacement parts Ninety days

*Two-hour cap

**Through engine manufacturer. See section 3 of warranty manual for engine warranty exceptions

*** Based upon dealer's certification status

Extended Warranty MUST be signed up within 30 days of delivery to End User (Dealer has 1Year from Receiving Machine to Sign up extended Warranty)

Extended Warranty Cost is based on Invoice Price multiplied by the Percentage listed in the Extended Warranty Column

All above labor and travel reimbursed at 65 or 75% of the published shop rate.



“The Power of Clean”

PowerBoss Is A Full Line Manufacturer Of Sweepers and Scrubbers For Industrial Facilities.

PowerBoss, Inc 175 Anderson Street P.O. Box 1227- Aberdeen North Carolina 28315

Phone: 800-982-7141 - Fax: 1-800-277-7141 Local: 910-944-2105 Fax: 910-944-7409 e-mail: techsupport@powerboss.com

A Member Of The Hako Group